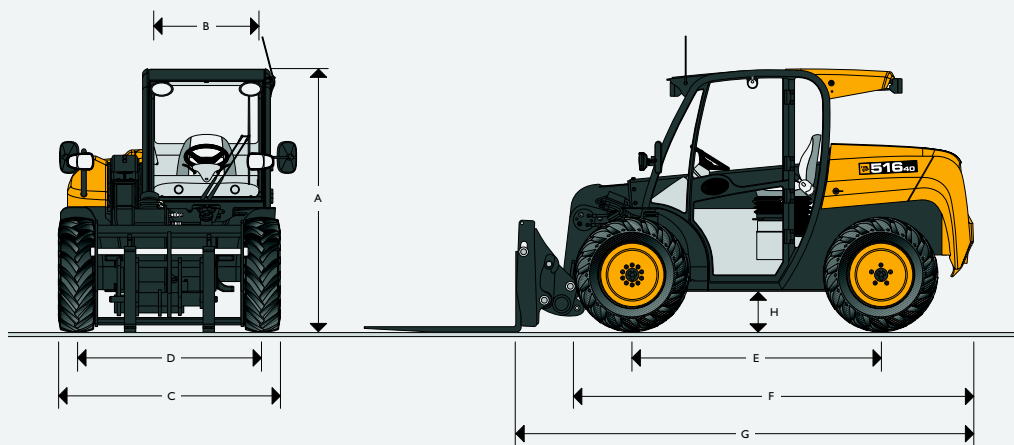


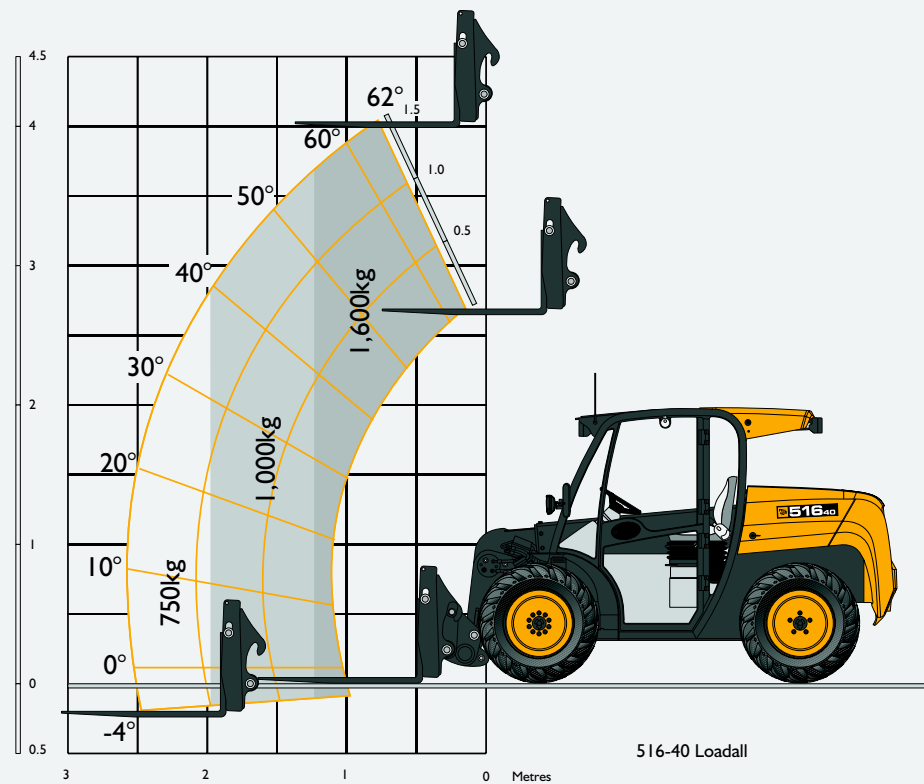
STATIC DIMENSIONS



Machine model		516-40
A Overall height	m	1.8
	Overall height with wiper	m
B Inside width of cab	m	0.87
C Width over tyres	m	1.56
D Front track	m	1.3
E Wheelbase	m	1.75
F Overall Length to front tyres	m	2.8
G Overall length to front carriage	m	3.23
H Ground clearance	m	0.24
	Outer turn radius over tyres	m
Weight	kg	3421
Carriage roll back angle at ground	degrees	35/30*
Carriage dump angle at max height	degrees	30/35*
Tyres	traction	255/75-15.3
	industrial	10.0/75-15.3
	semi-turf	10.0/75-15.3

* Compact Loadall Quickhitch/Skid Steer Quickhitch

LIFT PERFORMANCE



Machine model		Compact Tool Carrier Quickhitch	Skid Steer Quickhitch
Lift capacity to full height	kg	1600	1600
Lift capacity at full reach	kg	750	750
Payload at 2.0m boom extension	kg	1000	1000
Max. lift height	mm	4045	4060
Reach at max. lift height	mm	460	380
Maximum forward reach	mm	2535	2455

Complies with stability test EN 1459 Annex B.

ENGINE		
Machine model		516-40
Model		KOHLER KDW2204 CHD
Displacement	litres	2.2
Fuel		Diesel
Cooling		Liquid
Bore	mm	88
Stroke	mm	90.4
Gross power @2800 rpm		
ISO 14396	kW (hp)	35 (47)
Gross torque @ 1600rpm		
ISO 14396	Nm	130
Emission certification		EC Stage IIIA/USA EPA Tier 3
Engine oil service intervals		500 hours

TRANSMISSION			
Machine model		516-40	
Type		Hydrostatic	
Model		Rexroth AA4VG	
		Forward	Reverse
Low range	kph	13	13
High range	kph	26	26

ELECTRICAL SYSTEM		
System voltage	Volt	12
Alternator output	Amp hour	80
Battery capacity	Amp hour	62

HYDRAULICS		
Machine Model		516-40
Main service pump operating system pressure	bar	230
Flow at system pressure (@2800rpm)	ltr/min	56
Maximum auxiliary flow (@230bar)	ltr/min	56
Cycle times		seconds
Boom raise		6.6
Boom lower		3.9
Extend		5
Retract		3.7
Bucket dump		2.5
Bucket crowd		3.3

SERVICE CAPACITIES		
Fuel tank	litres	50
Hydraulic tank	litres	58
Engine oil sump	litres	8
Engine coolant system	litres	22

BRAKES	
Service brakes:	Hydraulically activated, drum brake on the front wheel motors.
Parking brake:	Manually operated drum brake on the front wheel motors.

BOOM AND CARRIAGE	
Boom is manufactured from high tensile steel. Low maintenance, hard wearing pads. JCB compact tool carrier parallel lift carriage with manual or hydraulic pin locking, accepts forklift with integral pallet forks and a wide range of attachments. Compact Tool Carrier: Compact Loadall compatibility. Skid Steer Tool Carrier: Skid steer universal compatibility hitch.	

ELECTRICS	
12v negative earth. 62.AH heavy duty battery. 80 amp alternator. Full road lighting. Reversing light. Direction indicators. Hazard warning. Reverse alarm.	

STEERING	
Full hydrostatic power steering. Permanent 4WS with 32° lock front and rear axles provides exceptional manoeuvrability	

CAB	
Quiet, safe and comfortable cab conforms to ROPS ISO3471 and FOPS ISO 3449. Radio console. Arm rest. Tinted glass all round with laminated front and roof screen. Front, rear screen wash/wipe and heater/screen demister. Opening door window. Optional air conditioning or face-level fan. Visual warning system for coolant temperature, engine oil pressure, air cleaner, battery charge, transmission oil pressure, engine temperature, fuel gauge and hourmeter.	
Boom control joystick incorporating forward/reverse switch. Throttle and brake pedals floor mounted. Optional fabric or vinyl adjustable, suspension seat with side mounted park brake lever. Automatic eye level audio-visual load moment indicator warning system receiving a signal from a load sensor on the rear axle. This system continuously monitors the machine's forward stability and leaves the operator in control at all times.	

OPTIONS AND ACCESSORIES	
Options: Road lights, work lights, rotating flashing beacon, fire extinguisher, front screen guard, sun blind, traction, industrial or semi-turf tyres, mechanical or hydraulic compact tool carrier quickhitch or Skid Steer quickhitch, battery isolator, air conditioning, face level fan, radio/speaker kit, reverse alarm, high-vis mirror, cesar data tag kit, wheel chock, grease gun, lifting points.	

Attachments: GP shovel with toeplate, industrial or floating forks, power grab, sweeper/collector.



ONE COMPANY, OVER 300 MACHINES.

Your nearest JCB dealer

LOADALL 516-40

Gross power: 35kW/47hp Lift capacity: 1,600kg Lift height: 4,000mm

JCB Sales Limited, Rokester, Staffordshire, United Kingdom ST14 5JP.

Tel: +44 (0)1889 590312 Email: salesinfo@jcb.com

Download the very latest information on this product range at: www.jcb.com

© 2009 JCB Sales. All rights reserved. No part of this publication may be reproduced, stored in a retrieval system, or transmitted in any form or by any other means, electronic, mechanical, photocopying or otherwise, without prior permission from JCB Sales. All references in this publication to operating weights, sizes, capacities and other performance measurements are provided for guidance only and may vary dependant upon the exact specification of machine. They should not therefore be relied upon in relation to suitability for a particular application. Guidance and advice should always be sought from your JCB Dealer. JCB reserves the right to change specifications without notice. Illustrations and specifications shown may include optional equipment and accessories. All images are correct at time of print. The JCB logo is a registered trademark of J C Bamford Excavators Ltd.

