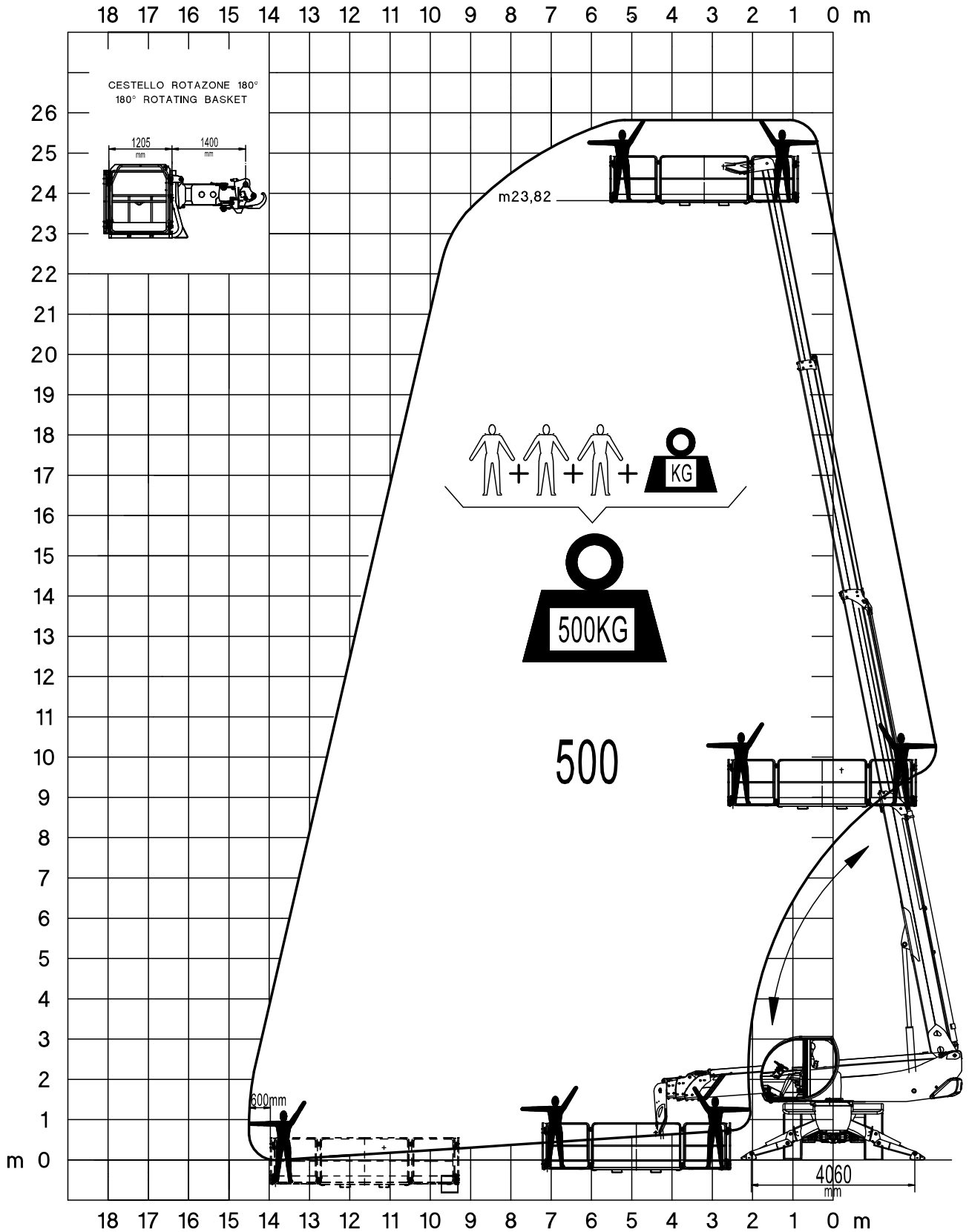
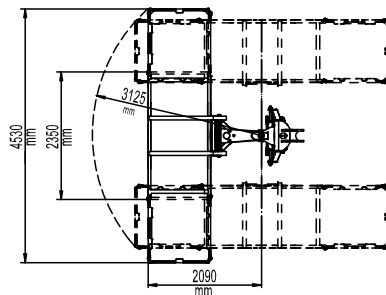


# RTH 5.26

stab. chiusi

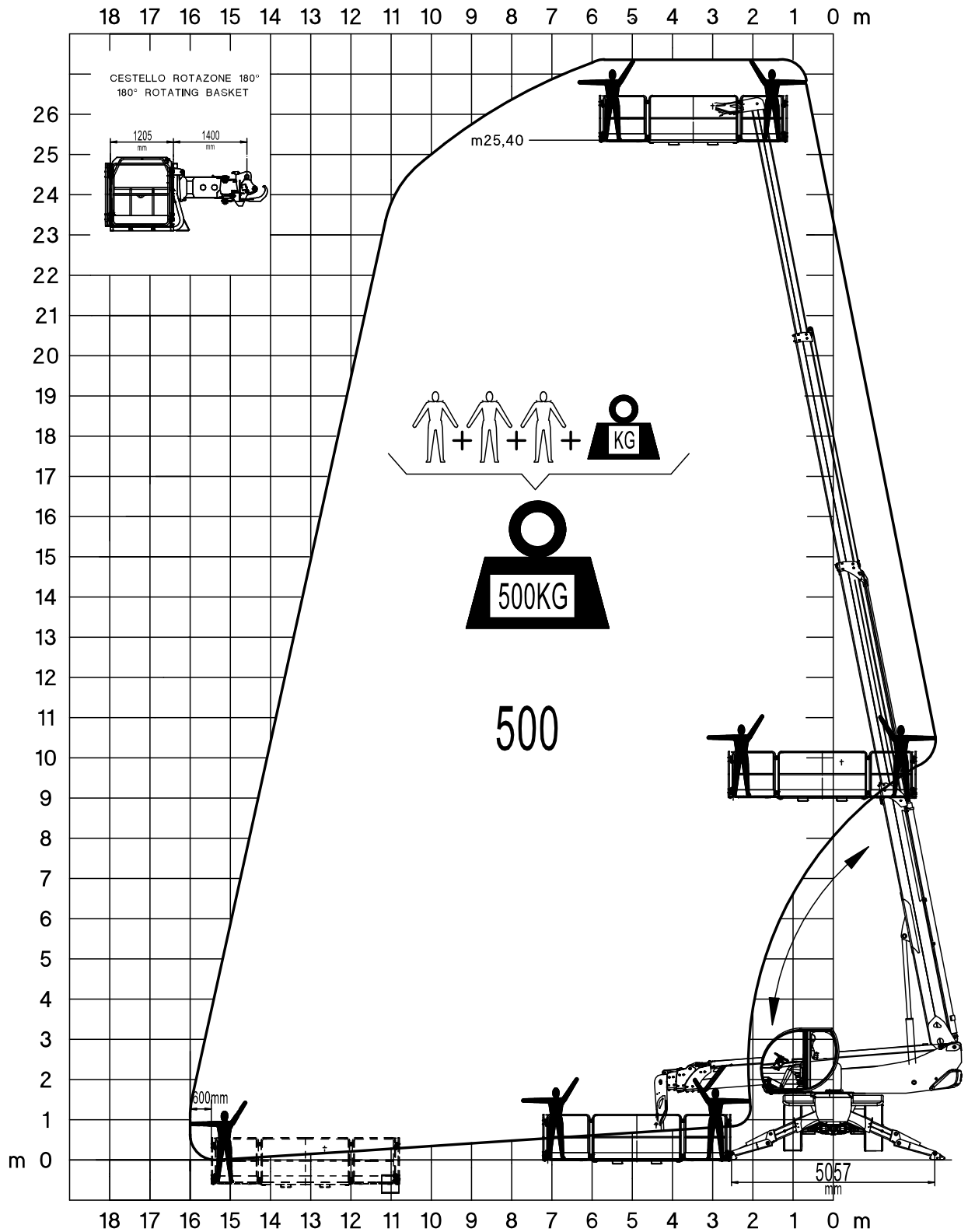


portate secondo norme EN280  
capacities standard EN280

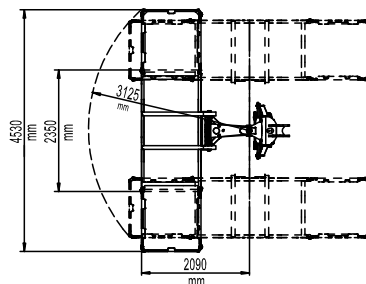


# RTH 5.26

stab. aperti

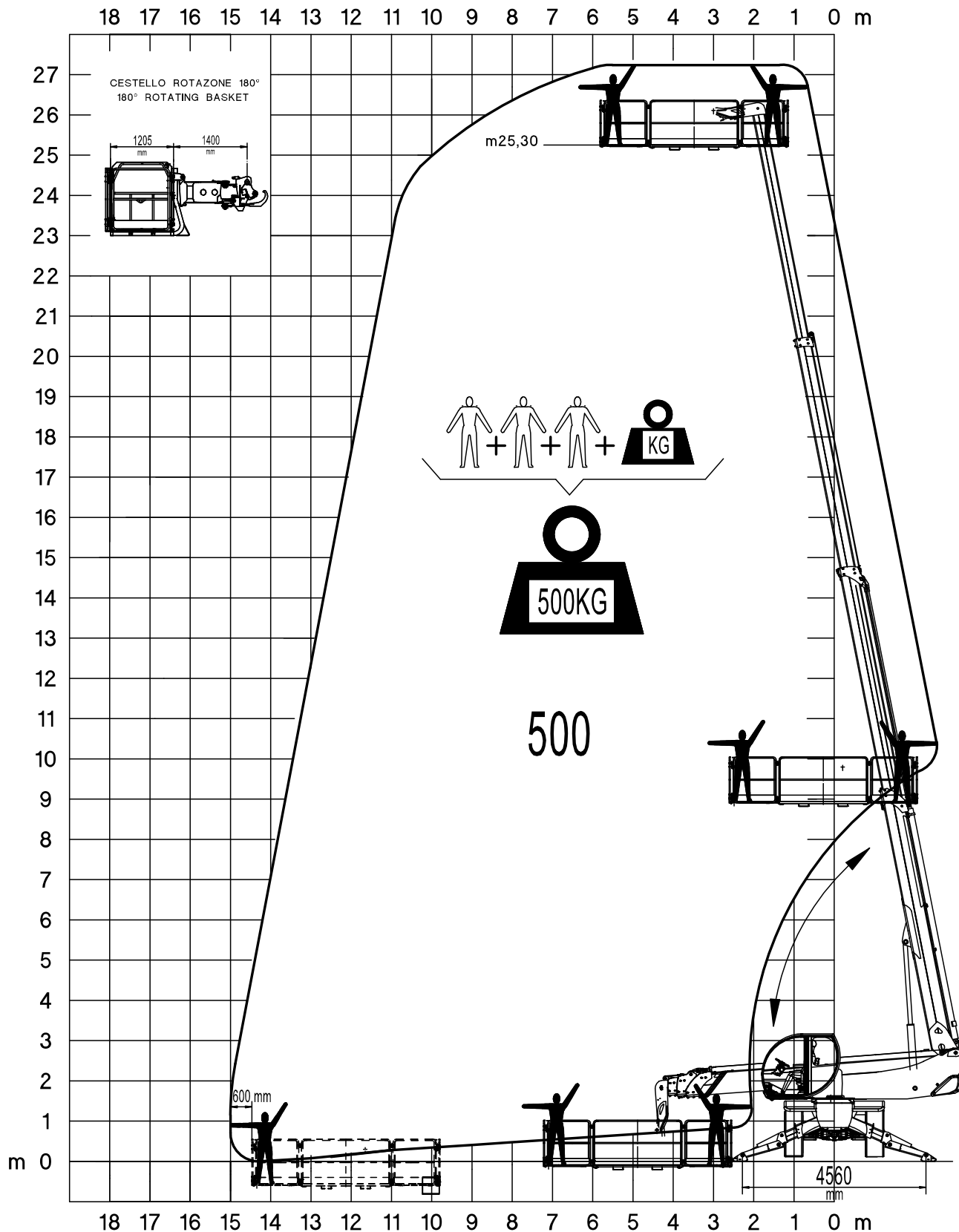


portate secondo norme EN280  
capacities standard EN280

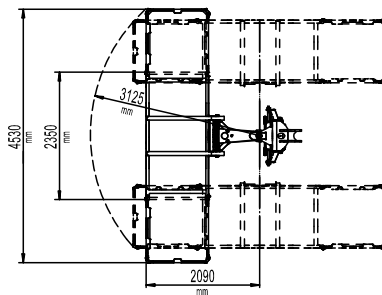


# RTH 5.26

stab. a meta'

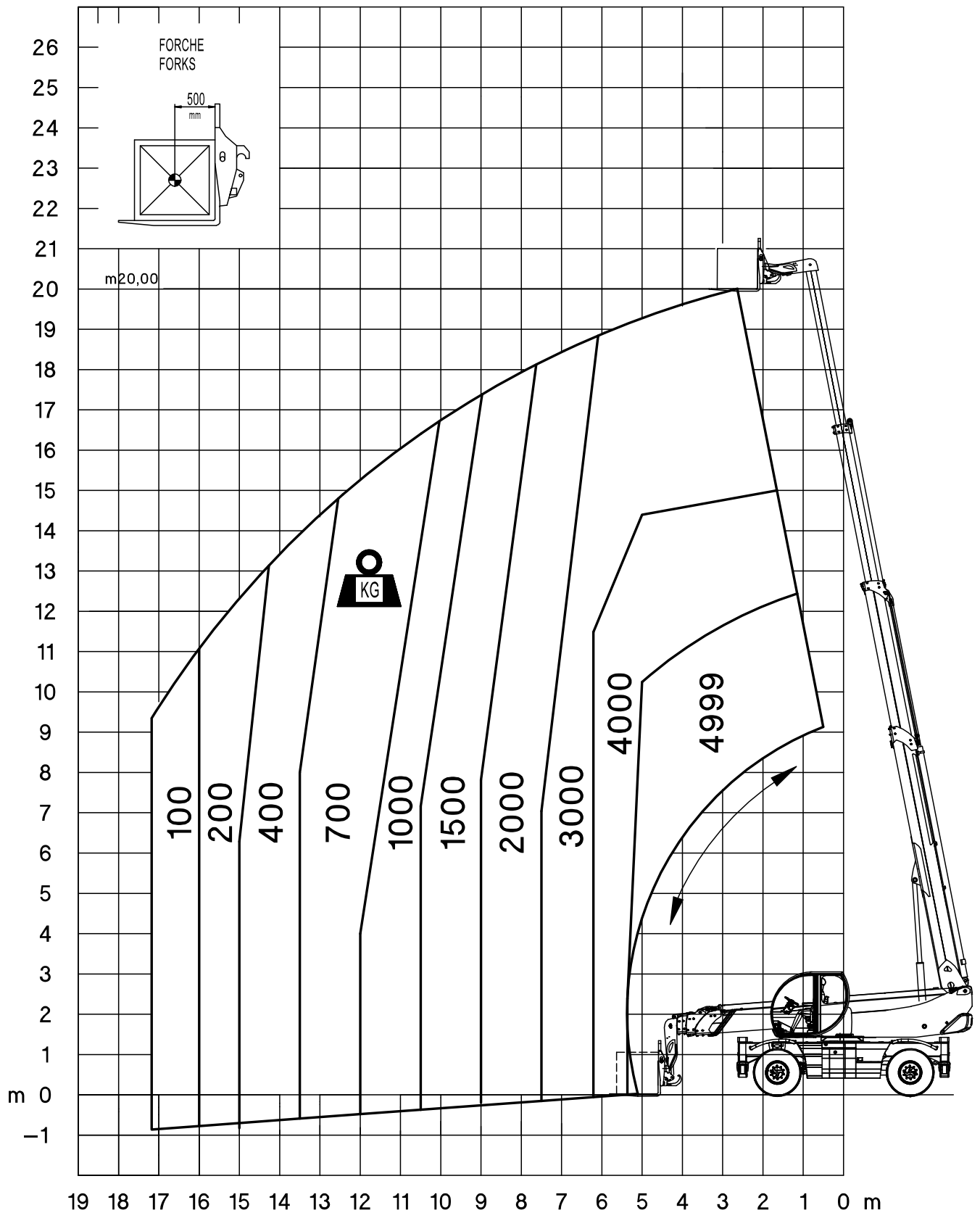


portate secondo norme EN280  
capacities standard EN280



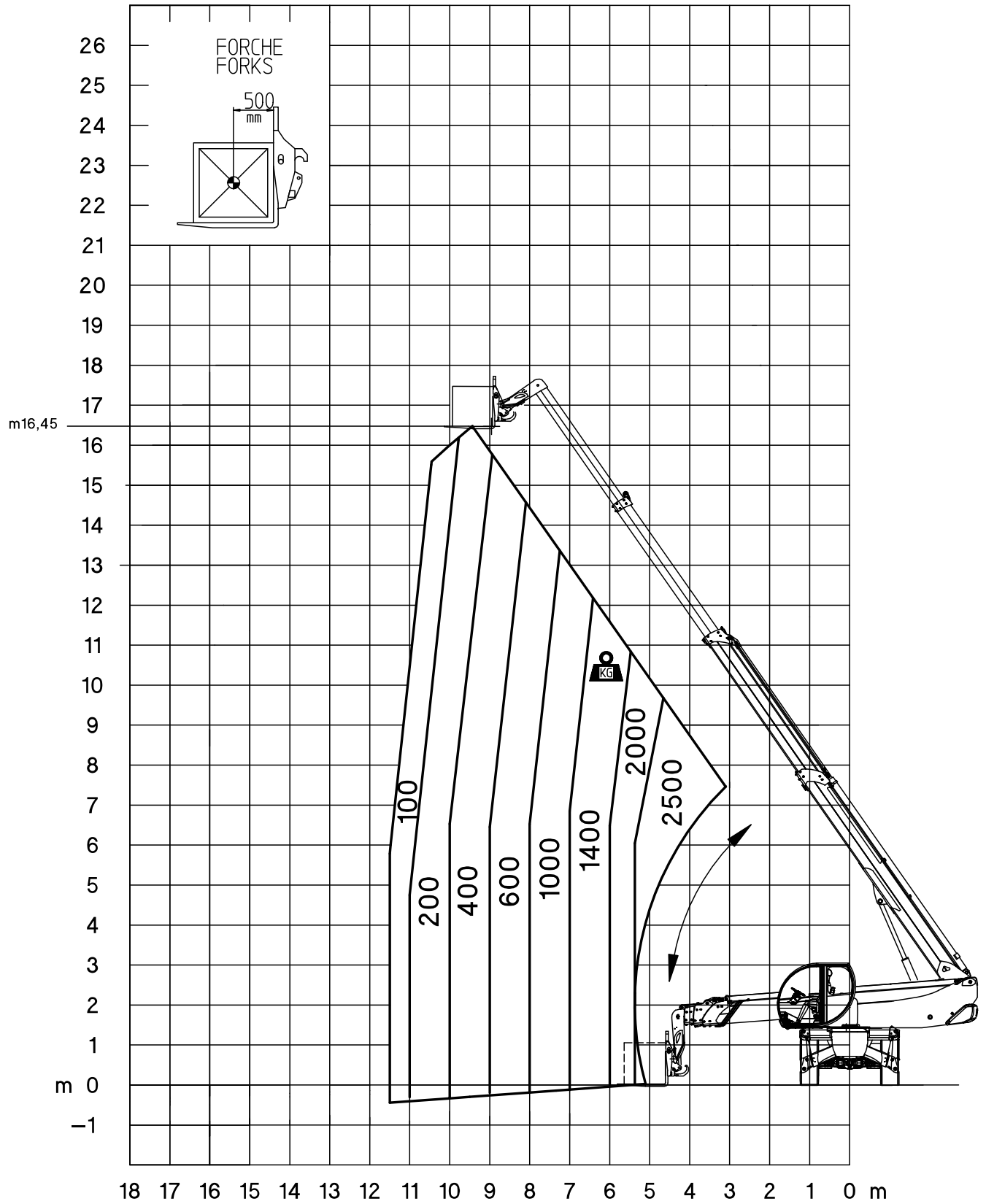
# RTH 5.26

frontale su gomma

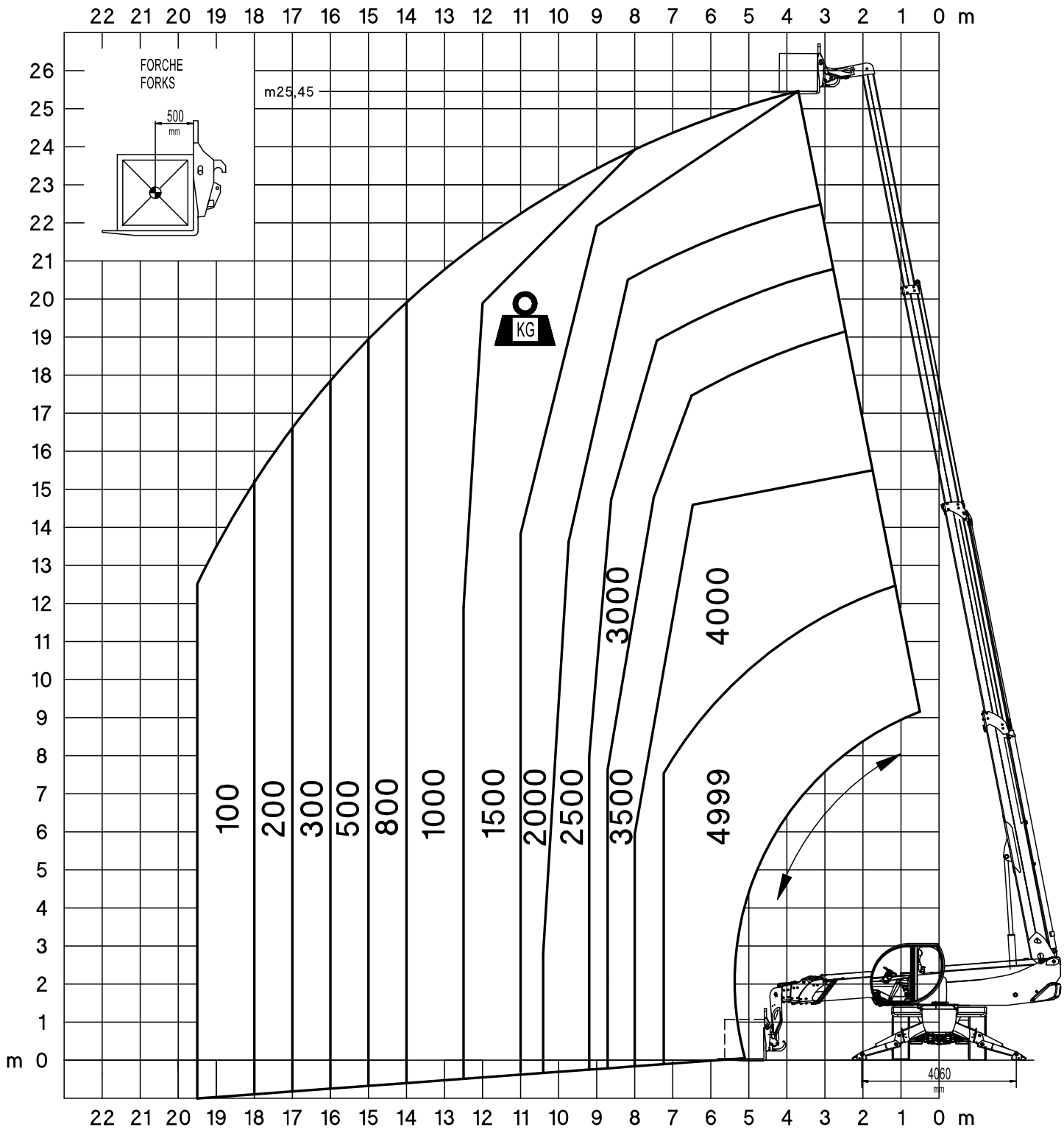


# RTH 5.26

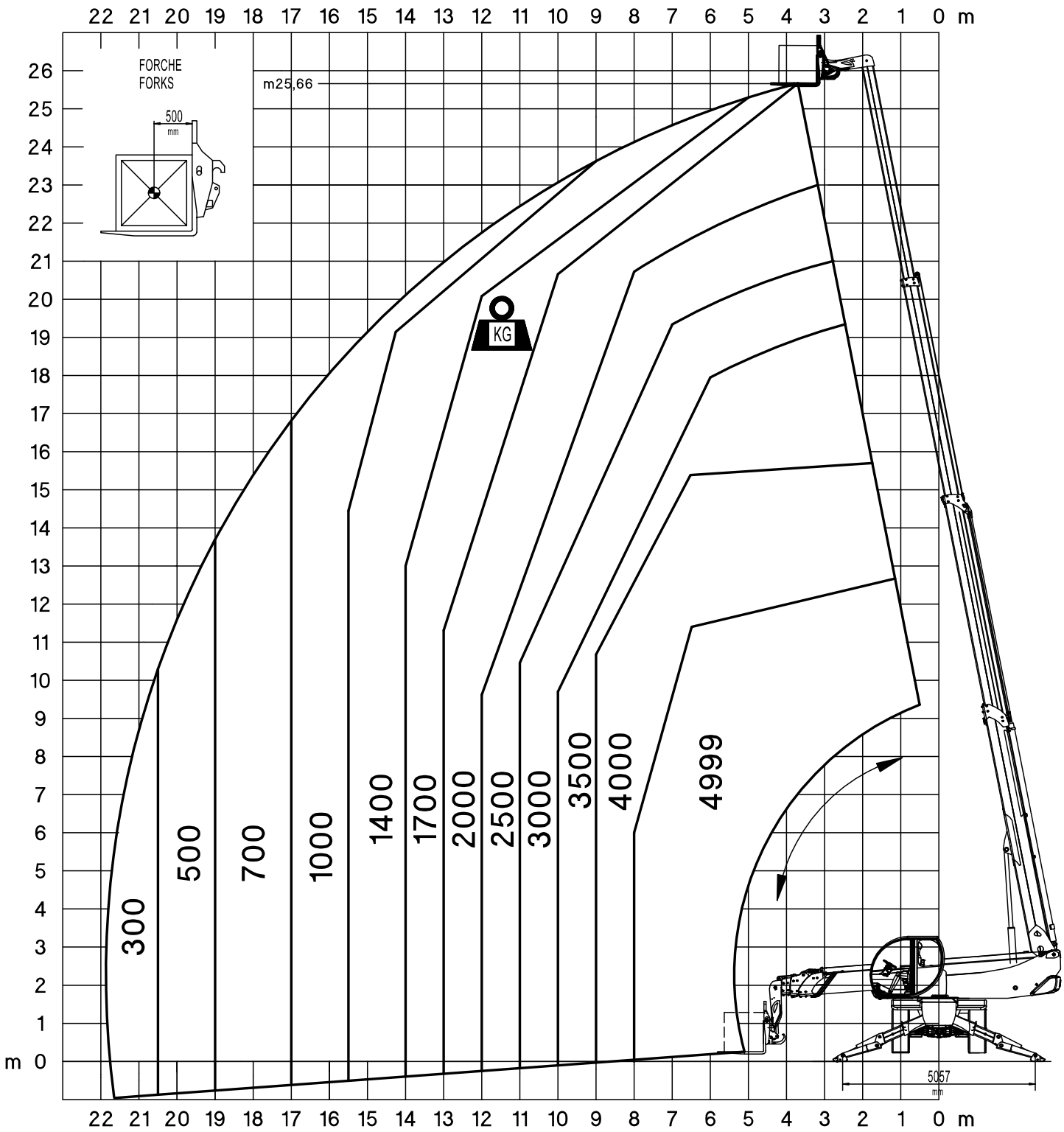
su gomme laterali



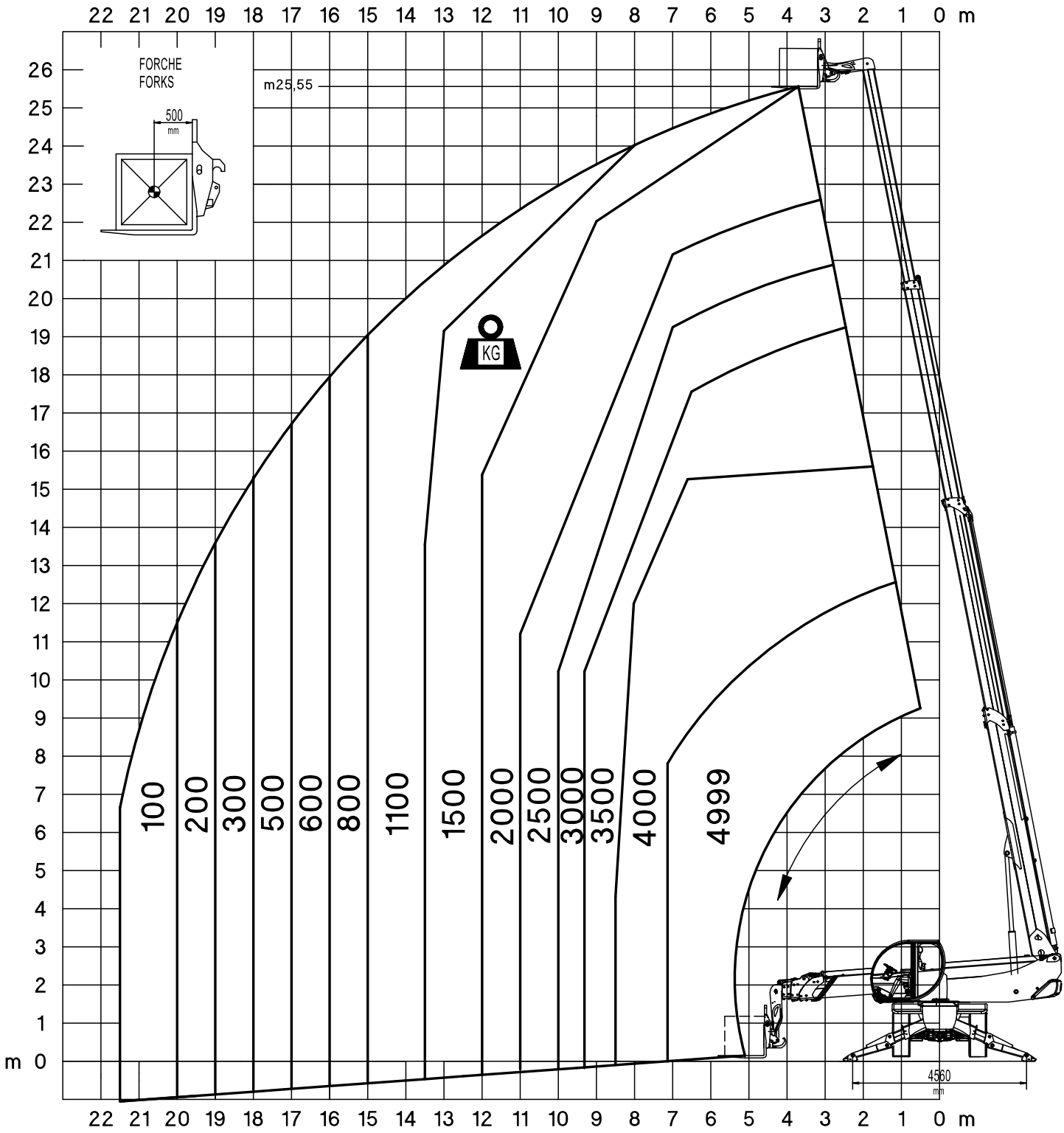
# RTH 5.26



# RTH 5.26



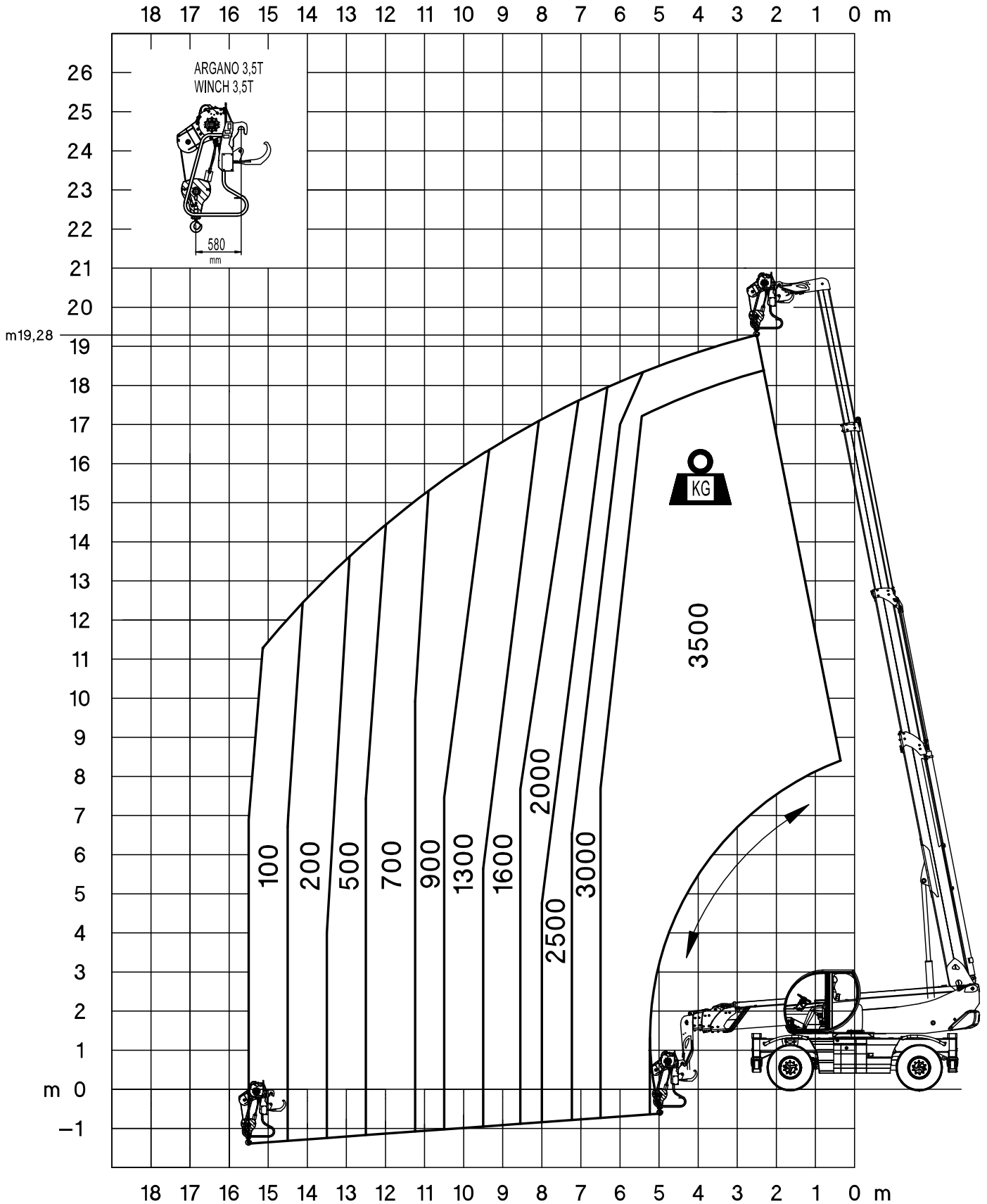
# RTH 5.26





# RTH 5.26

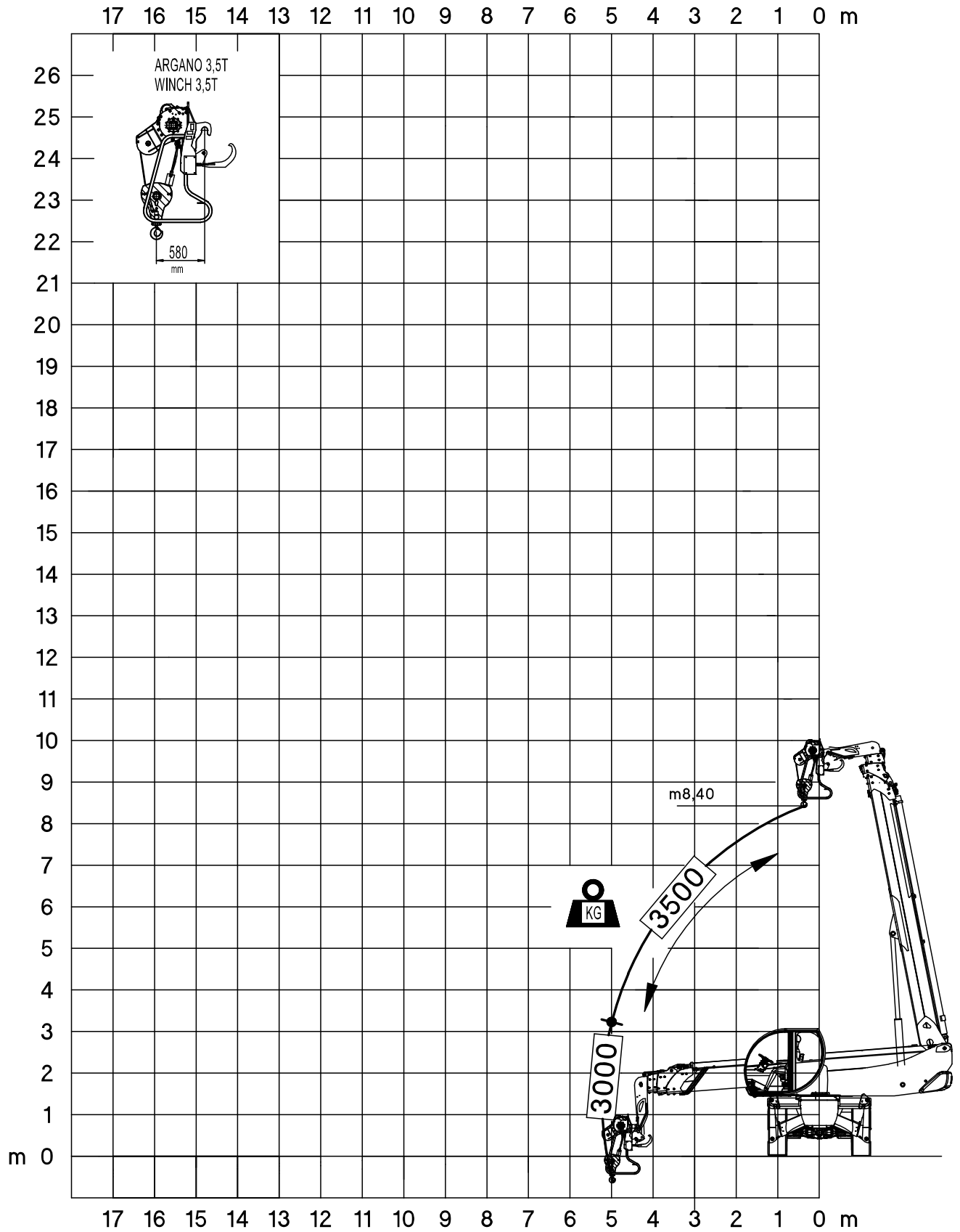
gomme front.



portate secondo norme EN13000  
capacities standard EN13000

# RTH 5.26

gomme later.

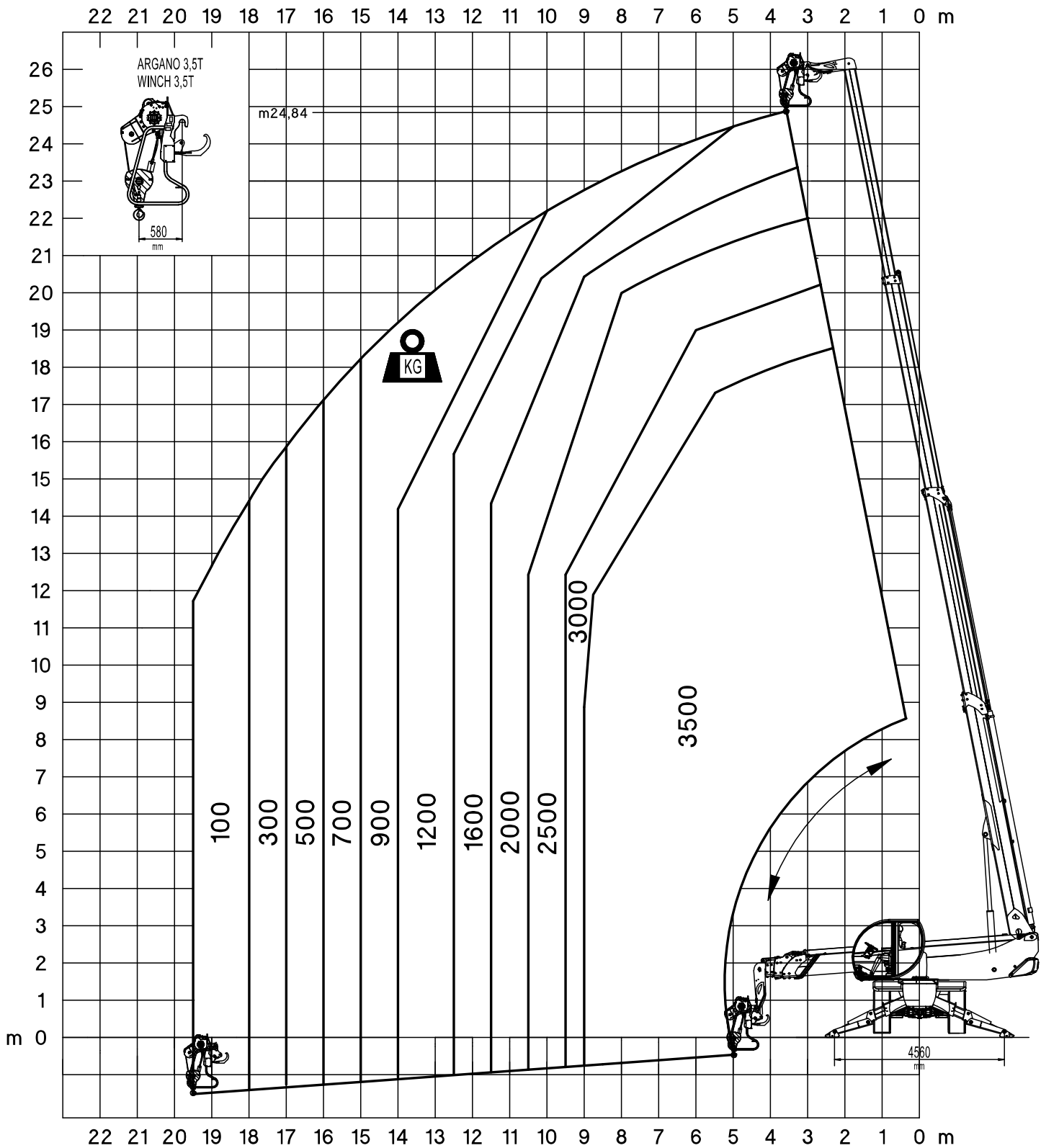


portate secondo norme EN13000

capacities standard EN13000

# RTH 5.26

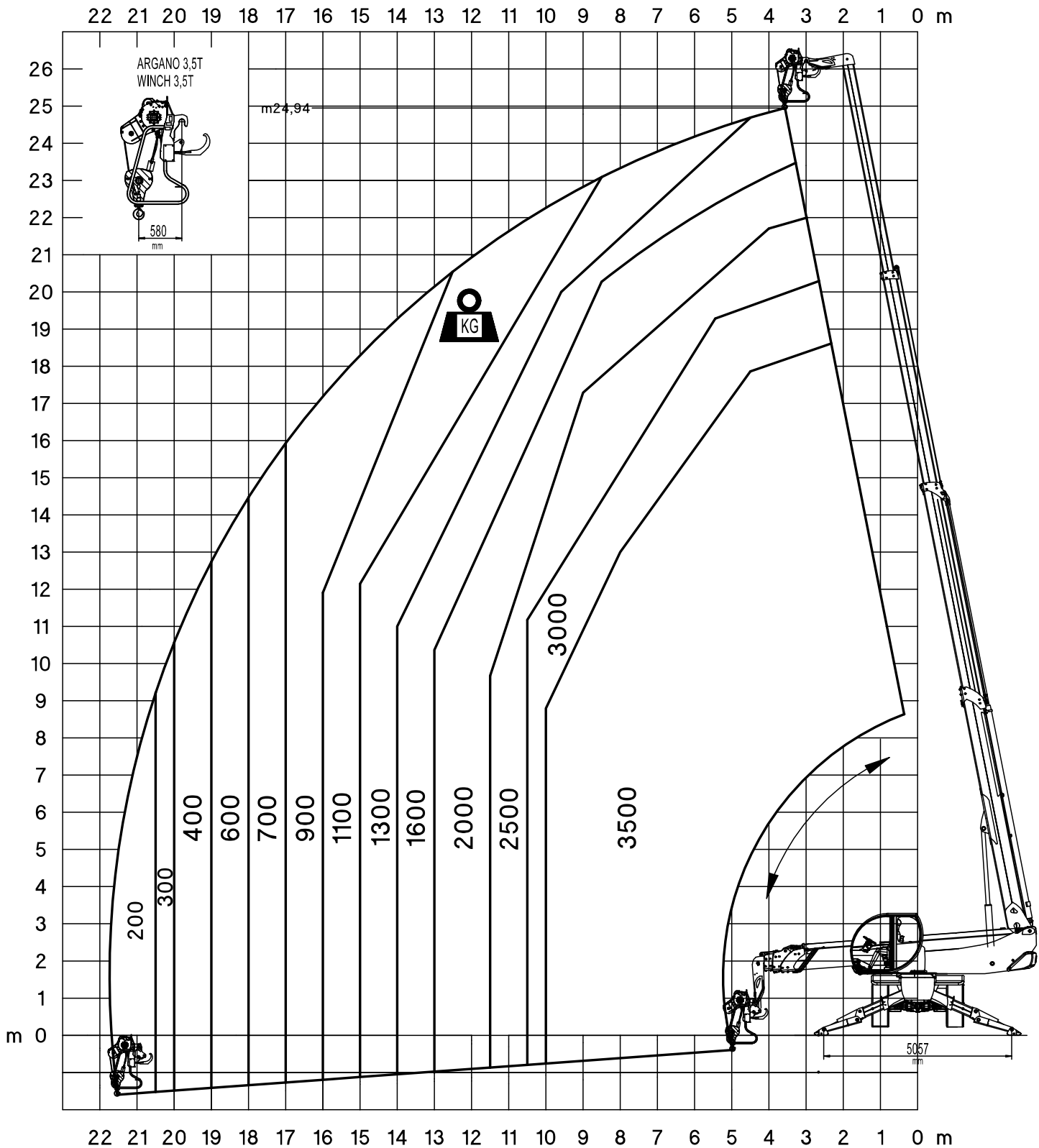
stabilizz. a meta'



portate secondo norme EN13000  
capacities standard EN13000

# RTH 5.26

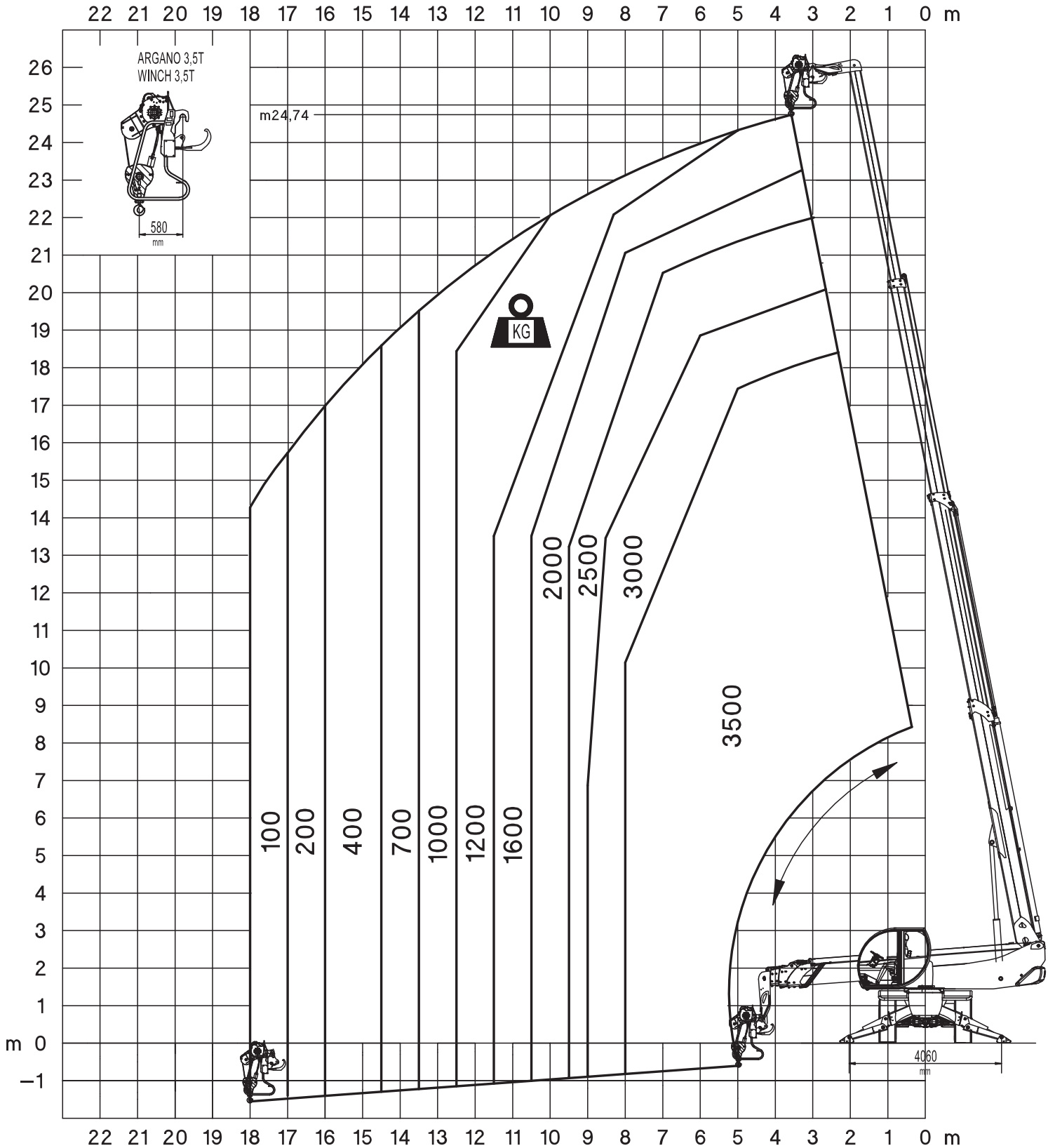
stab. aperti



portate secondo norme EN13000  
capacities standard EN13000

# RTH 5.26

stabilizz. chiusi



portate secondo norme EN13000  
capacities standard EN13000