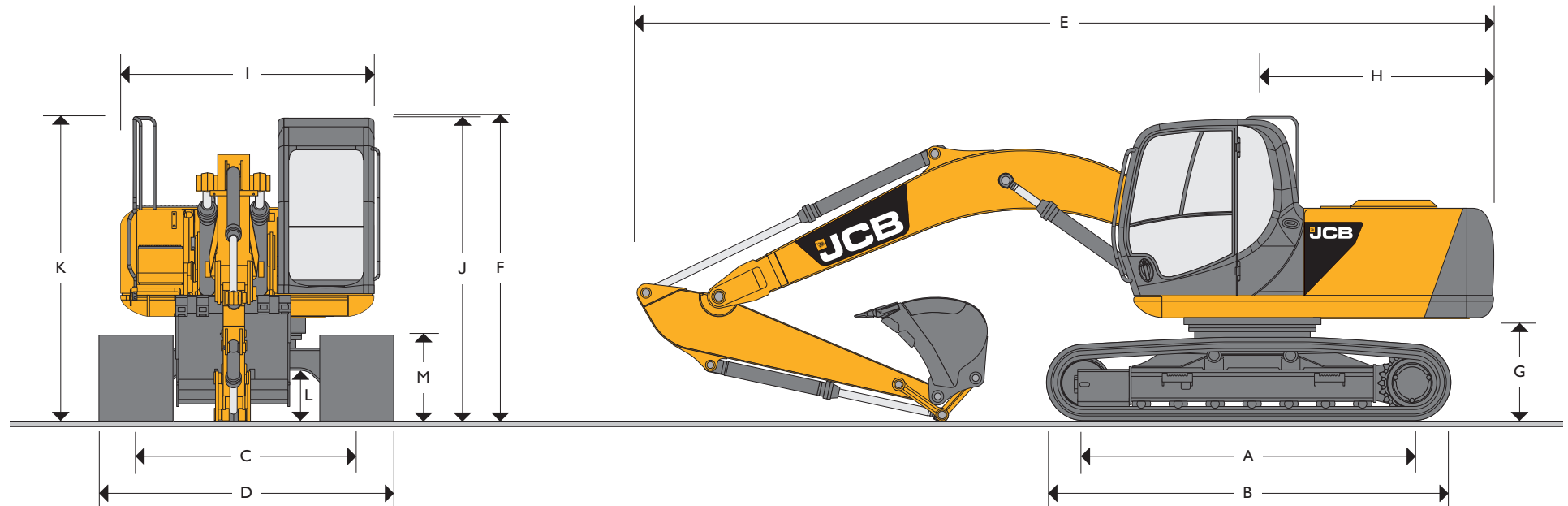




MAX. OPERATING WEIGHT: 18396 kg (40545 lb) NETT ENGINE POWER: 97 kW (130 hp)

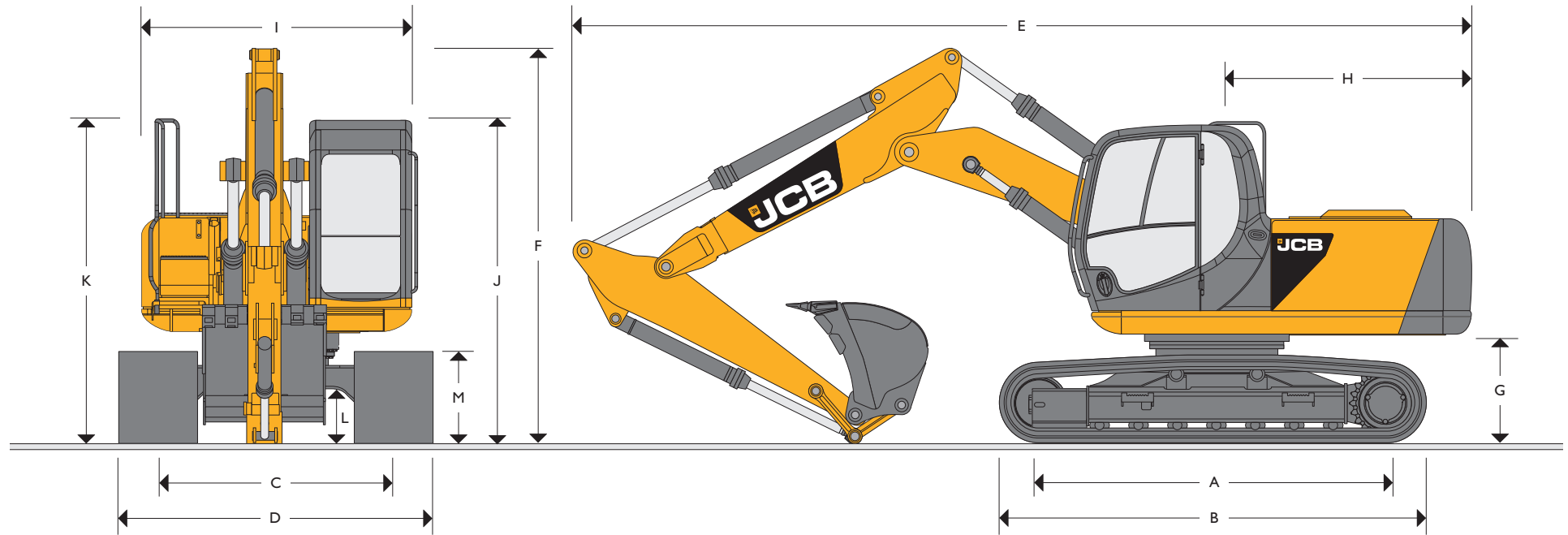


STATIC DIMENSIONS – JS160 NLC/LC MONOBOOM

Dimensions in millimetres (ft-in)		NLC	LC	Dimensions in millimetres (ft-in)		NLC & LC
A	Track length on ground	3090 (10-2)	3090 (10-2)	G	Counterweight clearance	1050 (3-5)
B	Undercarriage overall length	3940 (12-11)	3940 (12-11)	H	Tail swing radius	2338 (7-8)
C	Track gauge	1990 (6-6)	2200 (7-3)	I	Width of superstructure	2470 (8-1)
D	Width over tracks (500mm trackshoes)	2490 (8-2)	–	J	Height over cab	2965 (9-8)
D	Width over tracks (600mm trackshoes)	2590 (8-6)	2800 (9-2)	K	Height over grab rail	2992 (9-9)
D	Width over tracks (700mm trackshoes)	2690 (8-10)	2900 (9-6)	L	Ground clearance	470 (1-7)
D	Width over tracks (800mm trackshoes)	–	3000 (9-10)	M	Track height	880 (2-11)
D	Width over tracks (900mm trackshoes)	–	3100 (10-2)			
Dipper lengths		2.25m (7ft 5in)	2.7m (8ft 10in)			
E	Transport length with Monoboom	8338 (27-4)	8298 (27-2)			
F	Transport height with Monoboom	2992 (9-9)	2992 (9-9)			



MAX. OPERATING WEIGHT: 19160 kg (42229 lb) NETT ENGINE POWER: 97 kW (130 hp)



STATIC DIMENSIONS – JS160 NLC/LC T.A.B.

Dimensions in millimetres (ft-in)		NLC	LC
A	Track length on ground	3090 (10-2)	3090 (10-2)
B	Undercarriage overall length	3940 (12-11)	3940 (12-11)
C	Track gauge	1990 (6-6)	2200 (7-3)
D	Width over tracks (500mm trackshoes)	2490 (8-2)	–
D	Width over tracks (600mm trackshoes)	2590 (8-6)	2800 (9-2)
D	Width over tracks (700mm trackshoes)	2690 (8-10)	2900 (9-6)
D	Width over tracks (800mm trackshoes)	–	3000 (9-10)
D	Width over tracks (900mm trackshoes)	–	3100 (10-2)
Dipper lengths		2.25m (7ft 5in)	2.7m (8ft 10in)
E	Transport length with TABboom	8624 (28-3)	8616 (28-3)
F	Transport height with TABboom	2854 (9-4)	2801 (9-2)

Dimensions in millimetres (ft-in)	NLC & LC	
G	Counterweight clearance	1050 (3-5)
H	Tail swing radius	2338 (7-8)
I	Width of superstructure	2470 (8-1)
J	Height over cab	2965 (9-8)
K	Height over grab rail	2992 (9-9)
L	Ground clearance	470 (1-7)
M	Track height	880 (2-11)



ENGINE

Model	JCB Dieselmax 444 TCAE-97 European Tier III emissions compliant.
Type	Water cooled, 4-stroke, 4-cylinder in-line, direct injection, turbocharged diesel.
Nett power (ISO 3046- INF)	97kW (130hp) at 2200rpm.
Piston Displacement	4.399 litres.
Injection	Electronic governor.
Air Filtration	Dry element with secondary safety element and in cab warning indicator.
Cooling	Large capacity radiator.
Starting system	24 volt – 4kW.
Batteries	2 x 12 volt Heavy Duty.
Alternator	24 volt 55 amp.
Refuelling pump	Electric type.

SWING SYSTEM

Swing motor	Axial piston type.
Swing brake	Hydraulic braking plus automatic spring applied disc type parking brake.
Final drive	Planetary reduction.
Swing speed	10.4 rpm.
Swing gear	Large diameter, internally toothed fully sealed grease bath lubricated.
Swing lock	Multi position switchable brake.

UNDERCARRIAGE

Carriage options	NLC – Narrow long carriage and LC – Long carriage.	
Construction	Fully welded, “X” frame type with central bellyguarding and sloping sidemembers with dirt relief holes under top rollers.	
Recovery point	Front and rear.	
Upper & lower rollers	Heat treated, sealed and lubricated.	
Track adjustment	Grease cylinder type.	
Track type	Sealed and lubricated.	
Track idler	Sealed and lubricated, with spring cushioned recoil.	
Track shoes	500mm (20in.) triple grouser 600mm (24in.) triple grouser 700mm (28in.) triple grouser 800mm (33in.) triple grouser 900mm (35in.) triple grouser	
Rollers and Shoes (each side)	Upper rollers	2
	Lower rollers	7
	Track shoes	43
	Track guides	1

HYDRAULIC SYSTEM

A variable flow load sensing system with flow on demand, variable power output and servo operated, multi-function open centre control. Machine auto warm up standard – maximises performance in cold conditions.

Pumps

Main pumps	2 variable displacement axial piston type.
Maximum flow	2 x 164 L/min.
Servo pump	Gear type.
Maximum flow	20.5 L/min.

Control valve

A combined ten spool control valve with auxiliary service spool as standard. When required twin pump flow is combined to boom and dipper services for greater speed and efficiency.

Relief valve settings

Boom/Arm/Bucket	314 bar (4554lbf/sq.in)
With power boost	343 bar (4975lbf/sq.in)
Swing circuit	279 bar (4045lbf/sq.in)
Travel circuit	343 bar (4975lbf/sq.in)
Pilot control	40 bar (569lbf/sq.in)

A separate Cushion Control valve in the servo system provides cushioning of the boom and dipper spools selection and quick warm-up of the servo system.

Hydraulic cylinders

Double acting type, with bolt-up end caps and hardened steel bearing bushes. End cushioning is fitted as standard on boom, dipper and bucket rams.

Optional hose burst check valves available for boom and dipper rams.

Filtration

The hydraulic components are protected by the highest standard of filtration to ensure long hydraulic fluid and component life.

In tank	150 micron, suction strainer.
Main return line	10 micron, fibreform element.
Plexus Bypass line	1.5 micron, paper element.
Pilot line	10 micron, paper element.
Hydraulic hammer return	10 micron, reinforced microform element.

Cooling

Worldwide cooling is provided as part of a single face cooling pack, in conjunction with the engine water cooler.

TRACK DRIVE

Type	Full hydrostatic, three speed with autoshift between high and medium speed.
Travel motors	Variable swash axial piston type, fully guarded within undercarriage frame.
Final drive	Planetary reduction, bolt-on sprockets.
Service brake	Hydraulic counter balance valve to prevent overspeeding on gradients.
Park brake	Disc type, spring applied, automatic hydraulic release.
Gradeability	70% (35 deg) continuous.
Travel speed	High – 5.2 kmh (3.2 mph). Mid – 3.3 kmh (2.1 mph). Low – 1.8 kmh (1.1 mph).
Tractive effort	153 kN (15602 kgf, 34396 lbf).



EXCAVATOR END – MONOBOOM

Monoboom available along with a choice of dipper lengths to suit the requirements of reach, dig-depth, loadover height, tearouts and site versatility. Reserve strength is built into the fully welded structures for hydraulic hammer and other arduous operations. Fabricated bucket tipping links are provided with a choice of lift points.

Strong, durable construction, large cross sections and multi plate fabrications to withstand high stress applications.

The 5.15m (16ft 11in) boom is designed to ensure the optimum digging envelope when matched with the three dipper lengths.

Low maintenance bronze alloy bushes with graphite plugs are fitted to boom base and boom to dipper pivots resulting in 1000 hour greasing intervals at these points.

EXCAVATOR END – T.A.B.

Triple Articulated Boom (T.A.B.) with a choice of dipper lengths to suit the requirements of reach, dig-depth, loadover height, tearouts and site versatility. Reserve strength is built into the fully welded structures for hydraulic hammer and other arduous operations.

Fabricated bucket tipping links are provided with a choice of lift points.

CAB

Excellent digging, loading and positioning visibility results from the careful design of front, side and roof lights. All screens are tinted to improve in cab conditions.

Fully opening front screen is very smooth to operate and as the lower screen is stored within the top screen frame it makes complete front screen opening easy, fast and convenient.

Fresh air ventilation available from opening door window, opening slot in front screen and fully opening front screen.

Parallelogram wash wiper for upper screen ensuring good wiped area for maximum visibility. Wiper motor is fitted in the left hand side of the roof screen so as not to affect bucket visibility when loading. Optional lower screen wiper available.

Fresh air ventilation and heater with windscreen demister. Infinitely variable blower speed, temperature and recirculation control.

Optional climate control. Fully adjustable deluxe suspension seat with arm rest adjustment and backrest recline. Optional radio with digital tuner fitted into the roof lining for maximum protection. Conveniently placed radio mute button incorporated into lower console. 12v power point and mobile phone holder built into the right hand console. Courtesy light can be operated from ground level and is illuminated for five minutes or until switched off improving operator access at night. Cab mounted roller blind protects operator from suns' glare through front or top screens.

AMS – ADVANCED MANAGEMENT SYSTEM

Four selectable working modes link the operators control movements with the engine and hydraulic systems to maximise productivity and efficiency.

A (Auto)	Up to 100% engine power and 100% flow. Gives variable power and speed depending on the operator's input, matching the demand for output and efficiency to the job. Power boost is automatically activated in this mode should hard conditions be encountered. Auto idle cuts in after a period of inactivity (between 5 and 30 seconds as set by the operator)
E (Economy)	80% engine power: 95% of hydraulic flow maximises economy while maintaining excellent output.
P (Precision)	55% engine power: 90% of hydraulic flow for fine control of grading operations.
L (Lifting)	55% engine power: 63% of hydraulic flow with permanent power boost for maximum lifting power and control.

The Auto mode allows the AMS processor to select the optimum operational performance to match the demands of the job while the three alternative modes give precise matching of application when specific tasks are undertaken.

The adjustable position monitor mounted on the front right hand pillar of the cab gives the operator a constant read out of mode, tracking range, operating temperature and a host of other information, while retaining excellent visibility of the monitor and the job being carried out.

The required flow for hammer applications can be set and stored in the AMS memory and is automatically activated whenever the hammer pedal is depressed.

A maintenance indicator warns of imminent service needs, and all servicing and basic checks can be carried out using only the in cab display.

CONTROLS

Excavator Tracks	All servo lever operated to ISO control pattern, independently adjustable to the seat. Individually servo operated by foot pedal or hand lever. Speed selection via joystick button.
Auxiliary Control isolation	Via servo operated foot pedal.
Engine speed	Via gate lock lever at cab entrance or panel switch. Dial type throttle control plus servo lever mounted one-touch idle control or separate selectable auto-idle with adjustable time delay using AMS.
Engine stop	Ignition key operated and separate shut-down button.
Horn	Operated via servo lever mounted button.



SERVICE CAPACITIES

	Litres	UK Gal
Fuel tank	220	48.5
Engine coolant	19.7	4.4
Engine oil	20.4	4.5
Swing reduction gear	6	1.3
Track reduction gear (each side)	4	1.0
Hydraulic system	142	31.2
Hydraulic tank	73.0	16.1

STANDARD EXCAVATING BUCKETS

All buckets are JCB – Escó type fully welded steel, with sealed, hardened steel pivot pins and replaceable wear parts.

Max Width	Capacity (SAE heaped)	Weight
600mm (24in.)	0.35cu.m (0.46cu.yd)	396kg (873lb)
750mm (30in.)	0.49cu.m (0.64cu.yd)	448kg (988lb)
900mm (36in.)	0.62cu.m (0.81cu.yd)	489kg (1078lb)
1000mm (40in.)	0.72cu.m (0.94cu.yd)	526kg (1160lb)
1200mm (48in.)	0.90cu.m (1.18cu.yd)	592kg (1305lb)

WEIGHTS AND GROUND BEARING PRESSURES

JS160 NLC/LC – Machine equipped with 5.15m Monoboom, 3.05m Dipper, 0.9m³ Bucket, operator and full fuel tank.

Shoe Width/Undercarriage	Operating Weight	Bearing Pressure
500mm (20in.) / NLC	17195kg (37898lb)	0.54kg/sq. cm. (7.71lb/sq. in.)
600mm (24in.) / LC	17498kg (38566lb)	0.46kg/sq. cm. (6.54lb/sq. in.)
700mm (28in.) / LC	17734kg (39086lb)	0.40kg/sq. cm. (5.68lb/sq. in.)
800mm (33in.) / LC	17998kg (39668lb)	0.35kg/sq. cm. (5.05lb/sq. in.)
900mm (33in.) / LC	18396kg (40545lb)	0.32kg/sq. cm. (4.58lb/sq. in.)

JS160 NLC/LC T.A.B. – Machine equipped with 5.35m T.A.B. boom, 3.05m Dipper, 0.9m³ Bucket, operator and full fuel tank.

Shoe Width/Undercarriage	Operating Weight	Bearing Pressure
500mm (20in.) / NLC	17959kg (39582lb)	0.57kg/sq. cm. (8.06lb/sq. in.)
600mm (24in.) / LC	18262kg (40249lb)	0.48kg/sq. cm. (6.83lb/sq. in.)
700mm (28in.) / LC	18498kg (40770lb)	0.42kg/sq. cm. (5.93lb/sq. in.)
800mm (33in.) / LC	18762kg (41351lb)	0.37kg/sq. cm. (5.26lb/sq. in.)
900mm (33in.) / LC	19160kg (42229lb)	0.34kg/sq. cm. (4.77lb/sq. in.)

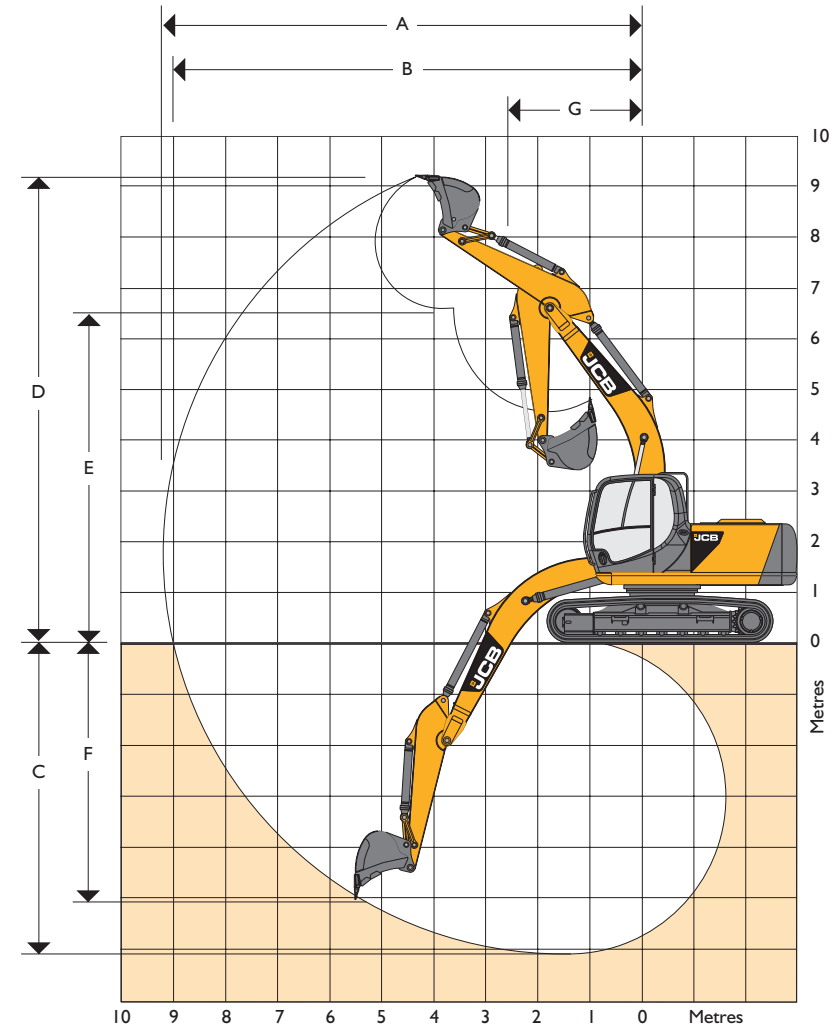
STANDARD / OPTIONAL EQUIPMENT

Standard Equipment: Engine fan guard; Cold start pre-heat; Auto engine warm up; Double element air cleaner; Heavy duty alternator; Electrics isolator; Heavy duty batteries; Cab & engine soundproofing; Cab heater & screen demister; Tinted glass; Interior light; Coat hook; Cigarette lighter; Ashtray; Operator's storage shelf; Removable floor mat; Windscreen wash/wipe; Plug-in power socket; Automatic power boost; Auto-idle; One-touch engine speed control; Hydraulic cushion control; Plexus hydraulic oil filtration; HSP pressure test points; Auxiliary pipework mounting brackets; Work lights – boom & mainframe mounted; Undercarriage belly guarding; Upper structure under covers; Swing system cover; External mirrors; Handrail & non slip walk ways; Quick connect engine oil drain pipe; Front screen blind; Quick connect fuel tank drain pipe; Hinged engine under cover; Central track guide; Remote filter system.

Optional Equipment: Hose burst check valves & overload warning system; Tipping link mounted lift points; General purpose buckets; Ditch/grading buckets; Quickhitch buckets; Hydraulic hammers; Auxiliary pipework (full and low flow); Climate control; Cab mounted & rear work lights; Rotating beacon; Rain guard; Biodegradable oil; Air suspension seat with heated pad and lumbar support adjustment; Electric refuelling pump; Track guides; Lower screen wiper; Radio; High and low temperature hydraulic oil option.

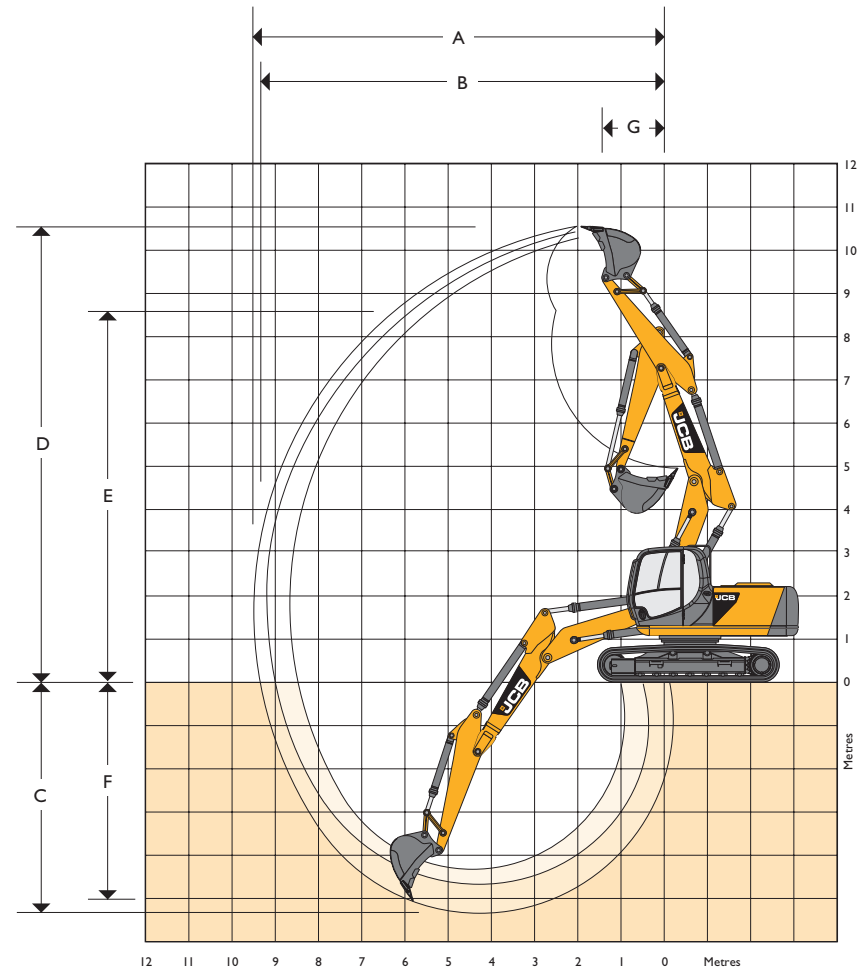
WORKING RANGE – JS160 NLC/LC MONOBOOM

Boom length: 5.15m (16ft 11in)		
Dipper length:		2.25m (7ft 5in)
A	Maximum digging reach	mm (ft-in) 8507 (27-11)
B	Maximum digging reach (on ground)	mm (ft-in) 8326 (27-4)
C	Maximum digging depth	mm (ft-in) 5482 (17-11)
D	Maximum digging height	mm (ft-in) 8863 (29-1)
E	Maximum dumping height	mm (ft-in) 6535 (21-5)
F	Maximum vertical wall cut depth	mm (ft-in) 4912 (16-1)
G	Minimum swing radius	mm (ft-in) 3000 (9-10)
	Bucket rotation	182°
	Maximum dipper tearout (ISO 6015)	kgf (lbf) 8754 (19259)
	Maximum bucket tearout (ISO 6015)	kgf (lbf) 11839 (26104)
Dipper length: 2.70m (8ft 10in)		
A	Maximum digging reach	mm (ft-in) 8908 (29-3)
B	Maximum digging reach (on ground)	mm (ft-in) 8735 (28-7)
C	Maximum digging depth	mm (ft-in) 5940 (19-6)
D	Maximum digging height	mm (ft-in) 9050 (29-8)
E	Maximum dumping height	mm (ft-in) 6726 (22-1)
F	Maximum vertical wall cut depth	mm (ft-in) 5370 (17-7)
G	Minimum swing radius	mm (ft-in) 3000 (9-10)
	Bucket rotation	182°
	Maximum dipper tearout (ISO 6015)	kgf (lbf) 7619 (16764)
	Maximum bucket tearout (ISO 6015)	kgf (lbf) 11839 (26104)
Dipper length: 3.05m (10ft 0in)		
A	Maximum digging reach	mm (ft-in) 9223 (30-3)
B	Maximum digging reach (on ground)	mm (ft-in) 9056 (29-8)
C	Maximum digging depth	mm (ft-in) 6286 (20-7)
D	Maximum digging height	mm (ft-in) 9219 (30-3)
E	Maximum dumping height	mm (ft-in) 6891 (22-2)
F	Maximum vertical wall cut depth	mm (ft-in) 5646 (18-6)
G	Minimum swing radius	mm (ft-in) 3000 (9-10)
	Bucket rotation	182°
	Maximum dipper tearout (ISO 5016)	kgf (lbf) 7003 (15406)
	Maximum bucket tearout (ISO 5016)	kgf (lbf) 11839 (26104)



WORKING RANGE – JS160 NLC/LC T.A.B.

T.A.Boom length: 5.35m (16ft 1 1/2in)		
Dipper length:		2.25m (7ft 5in)
A	Maximum digging reach	mm (ft-in) 8831 (28-11)
B	Maximum digging reach (on ground)	mm (ft-in) 8652 (28-5)
C	Maximum digging depth	mm (ft-in) 5376 (17-8)
D	Maximum digging height	mm (ft-in) 10226 (33-7)
E	Maximum dumping height	mm (ft-in) 7976 (26-2)
F	Maximum vertical wall cut depth	mm (ft-in) 4254 (13-11)
G	Minimum swing radius	mm (ft-in) 2170 (7-1)
	Bucket rotation	182°
	Maximum dipper tearout (ISO 6015)	kgf (lbf) 8754 (19259)
	Maximum bucket tearout (ISO 6015)	kgf (lbf) 11839 (26104)
<hr/>		
Dipper length:		2.70m (8ft 10in)
A	Maximum digging reach	mm (ft-in) 9260 (30-5)
B	Maximum digging reach (on ground)	mm (ft-in) 9094 (29-10)
C	Maximum digging depth	mm (ft-in) 5808 (19-0)
D	Maximum digging height	mm (ft-in) 10652 (34-11)
E	Maximum dumping height	mm (ft-in) 8366 (27-5)
F	Maximum vertical wall cut depth	mm (ft-in) 4721 (15-6)
G	Minimum swing radius	mm (ft-in) 2227 (7-3)
	Bucket rotation	182°
	Maximum dipper tearout (ISO 6015)	kgf (lbf) 7619 (16764)
	Maximum bucket tearout (ISO 6015)	kgf (lbf) 11839 (26104)
<hr/>		
Dipper length:		3.05m (10ft 0in)
A	Maximum digging reach	mm (ft-in) 9592 (31-6)
B	Maximum digging reach (on ground)	mm (ft-in) 9463 (31-1)
C	Maximum digging depth	mm (ft-in) 6130 (20-1)
D	Maximum digging height	mm (ft-in) 10800 (35-5)
E	Maximum dumping height	mm (ft-in) 8667 (28-5)
F	Maximum vertical wall cut depth	mm (ft-in) 5233 (17-2)
G	Minimum swing radius	mm (ft-in) 2587 (8-6)
	Bucket rotation	182°
	Maximum dipper tearout (ISO 5016)	kgf (lbf) 7003 (15406)
	Maximum bucket tearout (ISO 5016)	kgf (lbf) 11839 (26104)



LIFT CAPACITIES – Dipper Length: 2.25m, 5.15m Monoboam, Trackshoes: 700mm, No bucket.
JSI60 LC MONO

Reach	1.5m (4ft 11in)		3m (9ft 10in)		4.5m (14ft 9in)		6m (19ft 8in)		7.5m (24ft 7in)		Capacity at Max Reach				
													kg	kg	mm
Load Point Ht.	kg	kg	kg	kg	kg	kg	kg	kg	kg	kg	kg	kg	kg	kg	mm
7.5m (24.7ft)													3880*	3880*	4495
6.0m (19.8ft)													3340*	3340*	5961
4.5m (14.9ft)					5530*	5530*	5000	3660					3190*	2990	6797
3.0m (9.10ft)					6900*	5360	4870	3530					3220*	2670	7230
1.5m (4.11ft)					7260	5060	4720	3400					3430*	2560	7331
0m			5270*	5270*	7070	4900	4620	3300					3640	2630	7116
- 1.5m (- 4.11ft)	5970*	5970*	10710*	9160	7030	4860	4590	3280					4080	2930	6554
- 3.0m (- 9.10ft)			10790*	9330	7120	4940							5250	3740	5535
- 4.5m (- 14.9ft)															

LIFT CAPACITIES – Dipper Length: 2.70m, 5.15m Monoboam, Trackshoes: 700mm, No bucket.
JSI60 LC MONO

Reach	1.5m (4ft 11in)		3m (9ft 10in)		4.5m (14ft 9in)		6m (19ft 8in)		7.5m (24ft 7in)		Capacity at Max Reach				
													kg	kg	mm
Load Point Ht.	kg	kg	kg	kg	kg	kg	kg	kg	kg	kg	kg	kg	kg	kg	mm
7.5m (24.7ft)													2820*	2820*	5128
6.0m (19.8ft)							3840*	3750					2500*	2500*	6449
4.5m (14.9ft)					4980*	4980*	4610*	3690					2410*	2410	7228
3.0m (9.10ft)			9630*	9630*	6370*	5440	4890	3550	3190*	2530			2440*	2440*	7636
1.5m (4.11ft)			5060*	5060*	7300	5100	4730	3400	3400	2460			2600*	2350	7732
0m			6390*	6390*	7070	4890	4600	3280	3150*	2420			2900*	2410	7529
- 1.5m (- 4.11ft)	5750*	5750*	10070*	9060	6990	4810	4550	3230					3500*	2640	7000
- 3.0m (- 9.10ft)	9790*	9790*	11600*	9190	7030	4860	4600	3290					4550	3250	6058
- 4.5m (- 14.9ft)			8470*	8470*									5590*	5170	4443

LIFT CAPACITIES – Dipper Length: 3.05m, 5.15m Monoboam, Trackshoes: 700mm, No bucket.
JSI60 LC MONO

Reach	1.5m (4ft 11in)		3m (9ft 10in)		4.5m (14ft 9in)		6m (19ft 8in)		7.5m (24ft 7in)		Capacity at Max Reach				
													kg	kg	mm
Load Point Ht.	kg	kg	kg	kg	kg	kg	kg	kg	kg	kg	kg	kg	kg	kg	mm
7.5m (24.7ft)													2440*	2440*	5707
6.0m (19.8ft)							3880*	3760					2160*	2160*	6916
4.5m (14.9ft)							4260*	3680	2690*	2540			2070*	2070*	7647
3.0m (9.10ft)			8500*	8500*	5880*	5440	4870*	3520	3430	2490			2070*	2070*	8033
1.5m (4.11ft)			6080*	6080*	7270	5060	4680	3350	3350	2410			2170*	2130	8124
0m			6140*	6140*	6980	4800	4530	3210	3280	2350			2380*	2170	7931
- 1.5m (- 4.11ft)	4890*	4890*	9020*	8850	6870	4700	4460	3140					2780*	2360	7431
- 3.0m (- 9.10ft)	8390*	8390*	11970*	8960	6890	4720	4480	3170					3610*	2830	6553
- 4.5m (- 14.9ft)			9340*	9250	6330*	4890							5160*	4130	5101



Lift capacity front and rear.



Lift capacity full circle.

Notes:

- The above loads are in compliance with SAE and ISO Hydraulic Excavator Lift Capacity Standards.
- They do not exceed 87% of hydraulic lifting capacity or 75% of tipping load.
- Rated loads marked with an asterisk(*) are limited by hydraulic capacity rather than tipping load.

LIFT CAPACITIES – Dipper Length: 2.25m, 5.15m Monoboom, Trackshoes: 500mm, No bucket.
JS160 NLC MONO

Reach	1.5m (4ft 11in)		3m (9ft 10in)		4.5m (14ft 9in)		6m (19ft 8in)		7.5m (24ft 7in)		Capacity at Max Reach				
													kg	kg	mm
Load Point Ht.	kg	kg	kg	kg	kg	kg	kg	kg	kg	kg	kg	kg	kg	kg	mm
7.5m (24.7ft)													3880*	3880*	4495
6.0m (19.8ft)													3340*	3280	5961
4.5m (14.9ft)					5530*	5000	4860	3220					3190*	2620	6797
3.0m (9.10ft)					6900*	4680	4720	3100					3230*	2230	7230
1.5m (4.11ft)					7040	4380	4580	2960					3410	2230	7331
0m			5270*	5270*	6850	4230	4470	2870					3520	2290	7116
- 1.5m (- 4.11ft)	5970*	5970*	10710*	7740	6820	4190	4450	2850					3950	2550	6554
- 3.0m (- 9.10ft)			10790*	7890	6910	4270							5090	3250	5535
- 4.5m (- 14.9ft)															

LIFT CAPACITIES – Dipper Length: 2.70m, 5.15m Monoboom, Trackshoes: 500mm, No bucket.
JS160 NLC MONO

Reach	1.5m (4ft 11in)		3m (9ft 10in)		4.5m (14ft 9in)		6m (19ft 8in)		7.5m (24ft 7in)		Capacity at Max Reach				
													kg	kg	mm
Load Point Ht.	kg	kg	kg	kg	kg	kg	kg	kg	kg	kg	kg	kg	kg	kg	mm
7.5m (24.7ft)													2820*	2820*	5128
6.0m (19.8ft)							3840*	3310					2500*	2500*	6449
4.5m (14.9ft)							4610*	3250					2410*	2390	7228
3.0m (9.10ft)			9630*	8720*	7980*	4980	4750	3110	3190*	2210			2440*	2140	7636
1.5m (4.11ft)			5060*	5060*	6370	4750	4580	2960	3290	2150			2600*	2050	7732
0m			6390*	6390*	7090	4420	4460	2850	3150*	2100			2900*	2090	7529
- 1.5m (- 4.11ft)	5750*	5750*	10070*	7630	6850	4210	4410	2800					3500*	2300	7000
- 3.0m (- 9.10ft)	9790*	9790*	11600*	7760	6770	4150	4460	2850					4400	2820	6058
- 4.5m (- 14.9ft)			8470*	8050	6820*	4190							5590*	4480	4443

LIFT CAPACITIES – Dipper Length: 3.05m, 5.15m Monoboom, Trackshoes: 500mm, No bucket.
JS160 NLC MONO

Reach	1.5m (4ft 11in)		3m (9ft 10in)		4.5m (14ft 9in)		6m (19ft 8in)		7.5m (24ft 7in)		Capacity at Max Reach				
													kg	kg	mm
Load Point Ht.	kg	kg	kg	kg	kg	kg	kg	kg	kg	kg	kg	kg	kg	kg	mm
7.5m (24.7ft)													2440*	2440*	5707
6.0m (19.8ft)							3880*	3310					2160*	2160*	6916
4.5m (14.9ft)							4260*	3240	2690*	2220			2070*	2070*	7647
3.0m (9.10ft)			8500*	8500*	5880*	4750	4720	3080	3320	2170			2070*	1920	8033
1.5m (4.11ft)			6080*	6080*	7050	4370	4530	2910	3240	2090			2170*	1840	8124
0m			6140*	6140*	6770	4130	4390	2770	3170	2030			2380*	1870	7931
- 1.5m (- 4.11ft)	4890*	4890*	9020*	7430	6650	4030	4310	2710					2780*	2040	7431
- 3.0m (- 9.10ft)	8390*	8390*	11970*	7530	6670	4050	7340	2730					3610*	2450	6553
- 4.5m (- 14.9ft)			9340*	7810	6330*	4220							5160*	3580	5101



Lift capacity front and rear.



Lift capacity full circle.

Notes:

1. The above loads are in compliance with SAE and ISO Hydraulic Excavator Lift Capacity Standards.
2. They do not exceed 87% of hydraulic lifting capacity or 75% of tipping load.
3. Rated loads marked with an asterisk(*) are limited by hydraulic capacity rather than tipping load.

LIFT CAPACITIES – Dipper Length: 2.25m, 5.35m T.A.B., Trackshoes: 700mm, No bucket.
JSI60 LC T.A.B.

Reach	3m (9ft 10in)		4.5m (14ft 9in)		6m (19ft 8in)		7.5m (24ft 7in)		Capacity at Max Reach		
Load Point Ht.	kg	kg	kg	kg	kg	kg	kg	kg	kg	kg	mm
9.0m (29.5ft)									7240*	7240*	2218
7.5m (24.7ft)	5930*	5930*	5780*	5780*					4160*	4160*	5009
6.0m (19.8ft)	5030*	5030*	5830*	5830*	5040	3650			3500*	3270	6356
4.5m (14.9ft)	8490*	8490*	7160*	5610	4970	3580			3250*	2670	7145
3.0m (9.10ft)			7490	5200	4800	3430	3400	2430	3190*	2400	7557
1.5m (4.11ft)			7100	4860	4630	3270	3350	2380	3250	2310	7654
0m			6920	4700	4520	3170			3360	2380	7449
- 1.5m (- 4.11ft)	7580*	7580*	6770*	4700	4510	3160			3560*	2660	6914

LIFT CAPACITIES – Dipper Length: 2.70m, 5.35m T.A.B., Trackshoes: 700mm, No bucket.
JSI60 LC T.A.B.

Reach	3m (9ft 10in)		4.5m (14ft 9in)		6m (19ft 8in)		7.5m (24ft 7in)		Capacity at Max Reach		
Load Point Ht.	kg	kg	kg	kg	kg	kg	kg	kg	kg	kg	mm
9.0m (29.5ft)	5360*	5360*							4260*	4260*	3449
7.5m (24.7ft)			4780*	4780*					2990*	2990*	5649
6.0m (19.8ft)			4650*	4650*	4580*	3720			2590*	2590*	6869
4.5m (14.9ft)	5140*	5140*	5500*	5500*	5020	3630	3130*	2490	2440*	2420	7604
3.0m (9.10ft)			7590	5300	4830	3450	3420	2450	2410*	2200	7992
1.5m (4.11ft)			7150	4900	4640	3270	3340	2370	2480	2120	8084
0m			6910	4690	4500	3150	3280	2320	2670*	2170	7890
- 1.5m (- 4.11ft)	7430*	7430*	6850	4640	4460	3110			3030*	2390	7388
- 3.0m (- 9.10ft)			5210*	4720	3590*	3180			3160*	3020	6264

LIFT CAPACITIES – Dipper Length: 3.05m, 5.35m T.A.B., Trackshoes: 700mm, No bucket.
JSI60 LC T.A.B.

Reach	3m (9ft 10in)		4.5m (14ft 9in)		6m (19ft 8in)		7.5m (24ft 7in)		Capacity at Max Reach		
Load Point Ht.	kg	kg	kg	kg	kg	kg	kg	kg	kg	kg	mm
9.0m (29.5ft)	5100*	5100*							3550*	3550*	4269
7.5m (24.7ft)			4190*	4190*	3370*	3370*			2610*	2610*	6178
6.0m (19.8ft)			3830*	3830*	4120*	3730			2260*	2260*	7309
4.5m (14.9ft)	3140*	3140*	4240*	4240*	4500*	3620	3460	2480	2120*	2120*	8003
3.0m (9.10ft)			7620	5310	4810	3430	3380	2410	2080*	1980	8372
1.5m (4.11ft)			7120	4870	4590	3220	3280	2320	2110*	1920	8460
0m			6820	4590	4430	3070	3210	2250	2230*	1960	8275
- 1.5m (- 4.11ft)	6500*	6500*	6720	4510	4360	3010	3200	2240	2480*	2140	7798
- 3.0m (- 9.10ft)	7060*	7060*	5660*	4560	4070*	3050			2760*	2590	6857



Lift capacity front and rear.



Lift capacity full circle.

Notes:

1. The above loads are in compliance with SAE and ISO Hydraulic Excavator Lift Capacity Standards.
2. They do not exceed 87% of hydraulic lifting capacity or 75% of tipping load.
3. Rated loads marked with an asterisk(*) are limited by hydraulic capacity rather than tipping load.
4. Lift capacities above are calculated with articulated boom at full reach.

LIFT CAPACITIES – Dipper Length: 2.25m, 5.35m T.A.B., Trackshoes: 500mm, No bucket.
JS160 NLC T.A.B.

Reach	3m (9ft 10in)		4.5m (14ft 9in)		6m (19ft 8in)		7.5m (24ft 7in)		Capacity at Max Reach		
Load Point Ht.	kg	kg	kg	kg	kg	kg	kg	kg	kg	kg	mm
9.0m (29.5ft)									7240*	7240*	2218
7.5m (24.7ft)	5930*	5930*	5780*	5150					4160*	4160*	5009
6.0m (19.8ft)	5030*	5030*	5830*	5160	4890	3200			3500*	2860	6356
4.5m (14.9ft)	8490*	8490*	7160*	4900	4820	3130			3250*	2320	7145
3.0m (9.10ft)			7270	4510	4650	2980	3290	2110	3190*	2080	7557
1.5m (4.11ft)			6880	4170	4880	2830	3240	2060	3140	2000	7654
0m			6700	4020	4380	2730			3250	2060	7449
- 1.5m (- 4.11ft)	7580*	7500*	6700	4010	4370	2720			3560*	2290	6914

LIFT CAPACITIES – Dipper Length: 2.70m, 5.35m T.A.B., Trackshoes: 500mm, No bucket.
JS160 NLC T.A.B.

Reach	3m (9ft 10in)		4.5m (14ft 9in)		6m (19ft 8in)		7.5m (24ft 7in)		Capacity at Max Reach		
Load Point Ht.	kg	kg	kg	kg	kg	kg	kg	kg	kg	kg	mm
9.0m (29.5ft)	5360*	5360*							4260*	4260*	3449
7.5m (24.7ft)			4780*	4780*					2990*	2990*	5649
6.0m (19.8ft)			4650*	4650*	4580*	3270			2590*	2540	6869
4.5m (14.9ft)	5140*	5140*	5500*	5000	4870	3180	3130*	2170	2440*	2100	7604
3.0m (9.10ft)			7380	4590	4690	3010	3310	2120	2410*	1900	7992
1.5m (4.11ft)			6930	4210	4490	2830	3230	2050	2480*	1820	8084
0m			6690	4000	4360	2710	3180	2000	2670*	1870	7890
- 1.5m (- 4.11ft)	7430*	7350	6640	3960	4320	2670			3030*	2060	7388
- 3.0m (- 9.10ft)			5210*	4030	3590*	2740			3160*	2600	6264

LIFT CAPACITIES – Dipper Length: 3.05m, 5.35m T.A.B., Trackshoes: 500mm, No bucket.
JS160 NLC T.A.B.

Reach	3m (9ft 10in)		4.5m (14ft 9in)		6m (19ft 8in)		7.5m (24ft 7in)		Capacity at Max Reach		
Load Point Ht.	kg	kg	kg	kg	kg	kg	kg	kg	kg	kg	mm
9.0m (29.5ft)	5100*	5100*							3550*	3550*	4269
7.5m (24.7ft)			4190*	4190*	3370*	3210			2610*	2610*	6178
6.0m (19.8ft)			3830*	3830*	4120*	3280			2260*	2240	7309
4.5m (14.9ft)	3410*	3410*	4240*	4240*	4500*	3170	3350	2150	2120*	1880	8003
3.0m (9.10ft)			7400	4600	4670	2980	3270	2080	2080*	1700	8372
1.5m (4.11ft)			6910	4180	4450	2780	3180	1990	2110*	1640	8460
0m			6600	3910	4280	2630	3100	1920	2230*	1680	8275
- 1.5m (- 4.11ft)	6500*	6500*	6510	3830	4210	2570	3090	1910	2480*	1830	7798
- 3.0m (- 9.10ft)	7060*	7060*	5660*	3880	4070*	2610			2760*	2230	6857



Lift capacity front and rear.



Lift capacity full circle.

Notes:

1. The above loads are in compliance with SAE and ISO Hydraulic Excavator Lift Capacity Standards.
2. They do not exceed 87% of hydraulic lifting capacity or 75% of tipping load.
3. Rated loads marked with an asterisk(*) are limited by hydraulic capacity rather than tipping load.
4. Lift capacities above are calculated with articulated boom at full reach.

A GLOBAL COMMITMENT TO QUALITY

JCB's total commitment to its products and customers has helped it grow from a one-man business into Britain's largest privately owned manufacturer of backhoe loaders, crawler excavators, wheeled excavators, telescopic handlers, wheeled loaders, dump trucks, rough terrain fork lifts, industrial fork lifts, mini/midi excavators, skid steer loaders and tractors.

By making constant and massive investments in the latest production technology, the JCB factories have become some of the most advanced in Europe.

By leading the field in innovative research and design, extensive testing and stringent quality control, JCB machines have become renowned all over the world for performance, value and reliability.

And with a global sales and service network of over 400 distributors and agents, the company exports over 70% of its production to all five continents.

Through setting the standards by which others are judged, JCB has become one of Britain's most impressive success stories.



JCB Sales Limited, Rokester, Staffordshire ST14 5JP. Tel: 01889 590312. Fax: 01889 590588. Web: <http://www.jcb.com>

JCB reserves the right to change specifications without notice. Illustrations shown may include optional equipment and accessories. The JCB logo is a registered trademark of J C Bamford Excavators Ltd.



9999/5310 03/12 Issue 4